



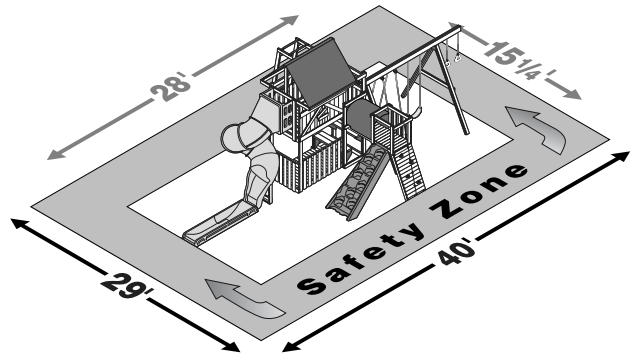
GREAT ESCAPE

Safety Guide & Assembly Instructions

GOLD
Design Option

Featured Components (purchase separately):

PS 8820 PS 8876 PS 8840 PS 7690 PS 7956 PS 8850



Gold Design Option Shown

SILVER
Design Option

Featured Components (purchase separately):

PS 8820

BRONZE
Design Option

Featured Components (purchase separately):

PS 7952 PS 8876 PS 8816 PS 8860

QUALIFIER
Design Option

Featured Components (purchase separately):

PS 8876 PS 8816

STARTER
Design Option

Featured Components (purchase separately):

PS 8816

We're Here To Help!

Call Toll Free **1-888-752-9782**
Customer Service: Monday - Friday, 8:00 A.M. to 5:00 P.M. C.S.T.

PS 7475

SAFETY

- This product is intended for single-family residential use only, by children ages two to ten and a maximum weight of 105 pounds. Any recommendation over 10 years of age or 105 pounds exceeds the upper limits specified in the American Society for Testing and Materials (ASTM) Home Playground Safety Standard. In order for PlayStar to comply with the ASTM Standard, we cannot recommend anyone above these limits.
- It is a misuse of this product when installed or used in places of public assembly such as schools or parks.
- Follow the instructions provided, do not alter its design in any way.
- Construction requires at least two adults capable of heavy lifting.
- Thoroughly read all safety instructions before beginning.
- Children must remain clear of construction site until this product is properly installed and ready for use.
- Save these instructions in the event the manufacturer has to be contacted.

The Consumer Product Safety Commission provides the following consumer information for your Home Playground Equipment

Select Protective Surfacing

One of the most important things you can do to reduce the likelihood of serious head injuries is to install shock-absorbing protective surfacing under and around your play equipment. The protective surfacing should be applied to a depth that is suitable for the equipment height in accordance with ASTM F1292. There are different types of surfacing to choose from; whichever product you select, follow these guidelines:

NOTE: Do not install home playground equipment over concrete, asphalt, packed earth, grass, carpet or any other hard surface. A fall onto a hard surface can result in serious injury or death to the equipment user. Grass and dirt are not considered protective surfacing because wear and environmental factors can reduce their shock absorbing effectiveness. Carpeting and thin mats are generally not adequate protective surfacing. Ground level equipment -- such as a sandbox, activity wall, playhouse or other equipment that has no elevated play surface -- does not need any protective surfacing.

Loose-Fill Materials

PlayStar Playsets require fall-height protection from eight feet.

- Maintain a minimum depth of 9 inches of loose-fill materials such as wood mulch / chips, engineered wood fiber (EWF), or shredded/recycled rubber mulch for

equipment up to 8 feet high. NOTE: An initial fill level of 12 inches will compress to about a 9-inch depth of surfacing over time. The surfacing will also compact, displace, and settle, and should be periodically refilled to maintain at least a 9-inch depth.

- Use containment, such as digging out around the perimeter and/or lining the perimeter with landscape edging. Don't forget to account for water drainage.
- Check and maintain the depth of the loose-fill surfacing material. To maintain the right amount of loose-fill materials, mark the correct level on play equipment support posts. That way you can easily see when to replenish and/or redistribute the surfacing.
- **Do not** install loose fill surfacing over hard surfaces such as concrete or asphalt.

Poured-In-Place Surfaces or Pre-Manufactured Rubber Tiles

You may be interested in using surfacing other than loose-fill materials -- like rubber tiles or poured-in-place surfaces.

- Installations of these surfaces generally require a professional and are not "do-it-yourself" projects.
- Review surface specifications before purchasing this type of surfacing. Ask the installer/manufacturer for a report showing that the product has been tested to the following safety standard: ASTM F1292 *Standard Specification for Impact Attenuation of Surfacing Materials within the Use Zone of Playground Equipment*. This report should show the specific height for which the surface is intended to protect against serious head injury.

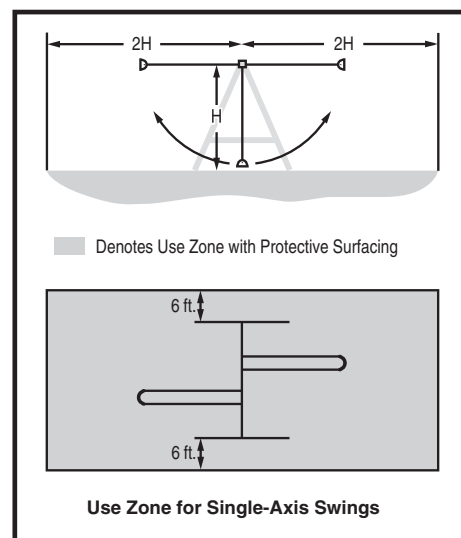
This height should be equal to or greater than the *fall height* - vertical distance between a designated play surface (*elevated surface for standing, sitting, or climbing*) and the protective surfacing below - of your play equipment.

- Check the protective surfacing frequently for wear.

Placement

Proper placement and maintenance of protective surfacing is essential. Be sure to:

- Extend surfacing at least 6 feet from the equipment in all directions.
- For to-fro swings, extend protective surfacing in front of and behind the swing to a distance equal to twice the height of the top bar from which the swing is suspended.



SAFETY

INSTALLATION:

1. Follow the instructions provided, do not alter its design in any way.
2. Place the equipment on level ground, not less than 6' (1.8m) from any structure or obstruction such as a fence, garage, house, overhanging branches, laundry lines or electrical wires. If the area where you will be installing your playset is not level, you must make it level.
3. Playsets must be anchored to the ground. Follow the anchoring instructions provided with your building kit. If soil conditions permit anchors to be pulled out easily, such as in sandy soil conditions, cementing is required.
4. Tighten all bolts securely to the intended member then cut off all protruding threaded ends of bolts with a hack saw **flush to the end of the nut** and remove sharp edges with a metal file.

WARNING: Children must not use the playset until properly installed and proper shock-absorbing surfacing material is in place.

OPERATION: *Observing and following statements and warnings reduces the likelihood of serious or fatal injury.*

1. On-site adult supervision is recommended for children of all ages.

2. Only one child, for each single planned seat or single planned activity should be allowed on this set at one time, with a maximum weight of **105 pounds** for each child.

WARNING: You must teach children the following:

- A. **Not** to walk close to, in front of, behind, or between moving items.
 - B. **Not** to twist swing chains or ropes or loop them over the top support bar since this may reduce the strength of the chain or rope.
 - C. **Avoid** swinging empty seats.
 - D. **To Sit** in the center of the swings with their full weight on the seats.
 - E. **Not** to use the equipment in a manner other than intended.
 - F. **Not** to get off equipment while it is in motion.
 - G. **Not** to climb when equipment is wet.
 - H. **Not** to attach items to the playground equipment that are not specifically designed for use with the equipment such as, but not limited to, jump ropes, clothesline, pet leashes, cables and chain as they may cause a strangulation hazard.
 - I. **Remove** bike or other sports helmet before playing on the playground equipment.
3. Verify that suspended climbing ropes are secured at both ends and that they cannot be looped back on themselves.

4. Dress children appropriately and do not allow them to wear inappropriate items, such as but not limited to, loose fitting clothing, hood and neck draw strings, scarves, cord-connected items, capes, and ponchos. These items can cause death by strangulation. Provide well-fitting and full enclosure footwear. Examples of inappropriate footwear are clogs, flip flops, and sandals.
5. Verify that all suspended swinging components have at least 8" clearance between the lowest point of component and top of shock-absorbing surfacing material.

WARNING: Lawn swings are designed for use by children two years of age and older. Use by children under the age of two can result in entrapment between the seat and backrest. **NEVER** place children in a rearward facing position or with legs between the seat and backrest because the child's body may pass through the opening causing entrapment of the child's head.

DISPOSAL:

When the playset is to be retired from service, disassemble and dispose of in such a way that no unreasonable hazards will exist. Follow your local disposal requirements.

ANNUAL MAINTENANCE CHECKLIST

(Copy this section as needed and maintain for your records or visit www.playstarinc.com/maintenance)

At the beginning of play season: Date: _____

- Tighten all hardware.
- Lubricate all metallic moving parts per manufacturer's instructions.
- Check all protective coverings on bolts, pipes, edges, and corners. Replace if they are loose, cracked, or missing.
- Check all moving parts including swing seats, ropes, cables, and chains for wear, rust, or other deterioration. Replace as needed.
- Check metal parts for rust. If found, sand and repaint using a nonlead-based paint meeting the requirements of 16 CRF 1303.
- Check all wood members for deterioration and splinters. Sand down splinters and replace deteriorating wood members.
- Reinstall any plastic parts, such as swing seats or any other items that were removed for the cold season.
- Rake and check depth of loose fill protective surfacing materials to prevent compaction and to maintain appropriate depth. Replace as necessary.

Twice a month during play season: Date: _____

- Tighten all hardware.
- Check all protective coverings on bolts, pipes, edges, and corners. Replace if they are loose, cracked, or missing.
- Rake and check depth of loose fill protective surfacing materials to prevent compaction and to maintain appropriate depth. Replace as necessary.

Once a month during play season: Date: _____

- Lubricate all metallic moving parts per manufacturer's instructions.
- Check all moving parts including swing seats, ropes, cables, and chains for wear, rust, or other deterioration. Replace as needed.

At the end of each play season or when the temperature drops below 0° F: Date: _____

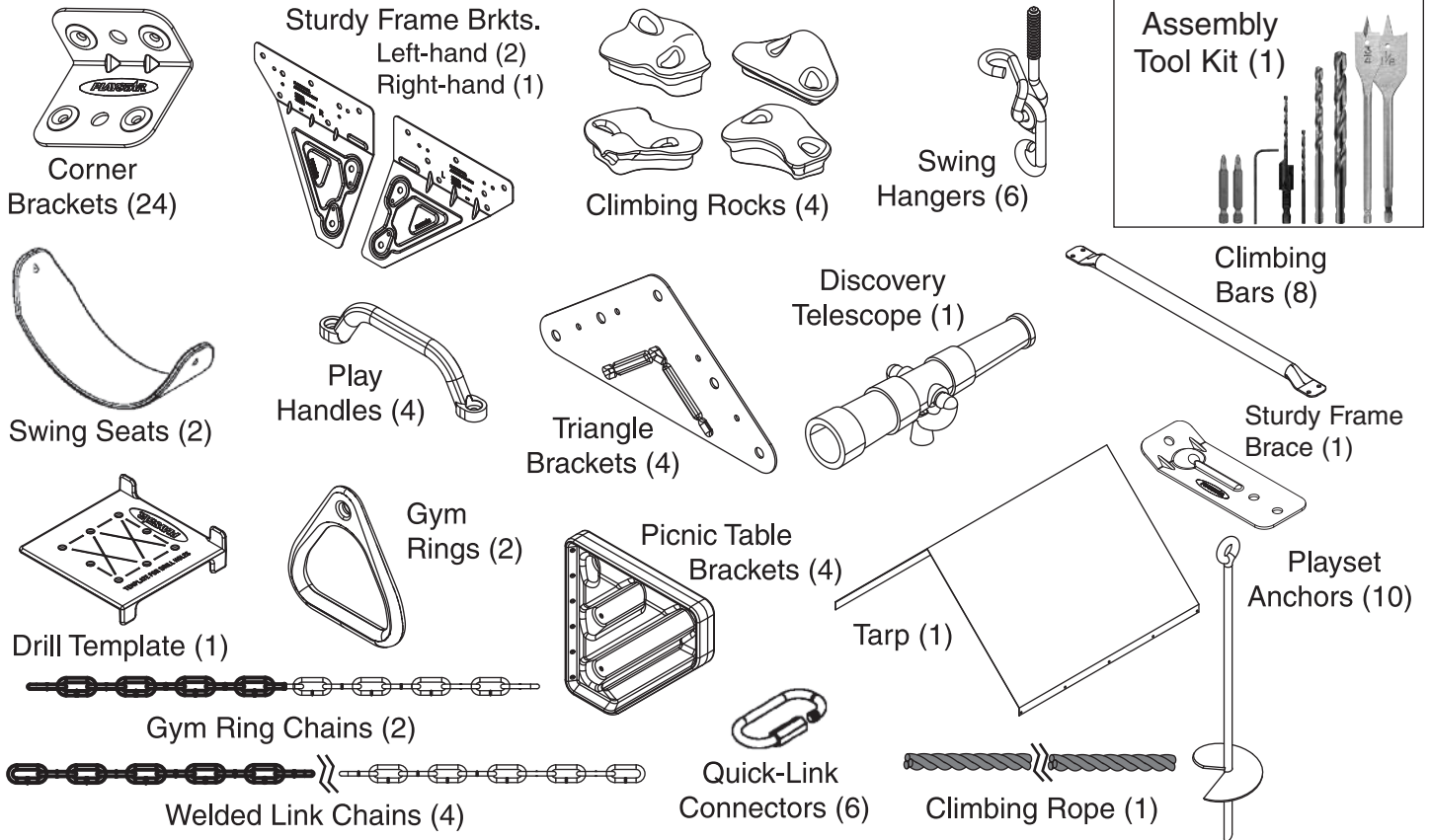
- Remove plastic swing seats and other items as specified by the manufacturer and take indoors or do not use.
- Rake and check depth of loose fill protective surfacing materials to prevent compaction and to maintain appropriate depth. Replace as necessary.

Owner shall be responsible for maintaining the legibility of any warning labels.

If any of these conditions exist, call 1-888-752-9782 for ordering information.

Clean plastic components with warm water and a mild detergent such as dish soap.

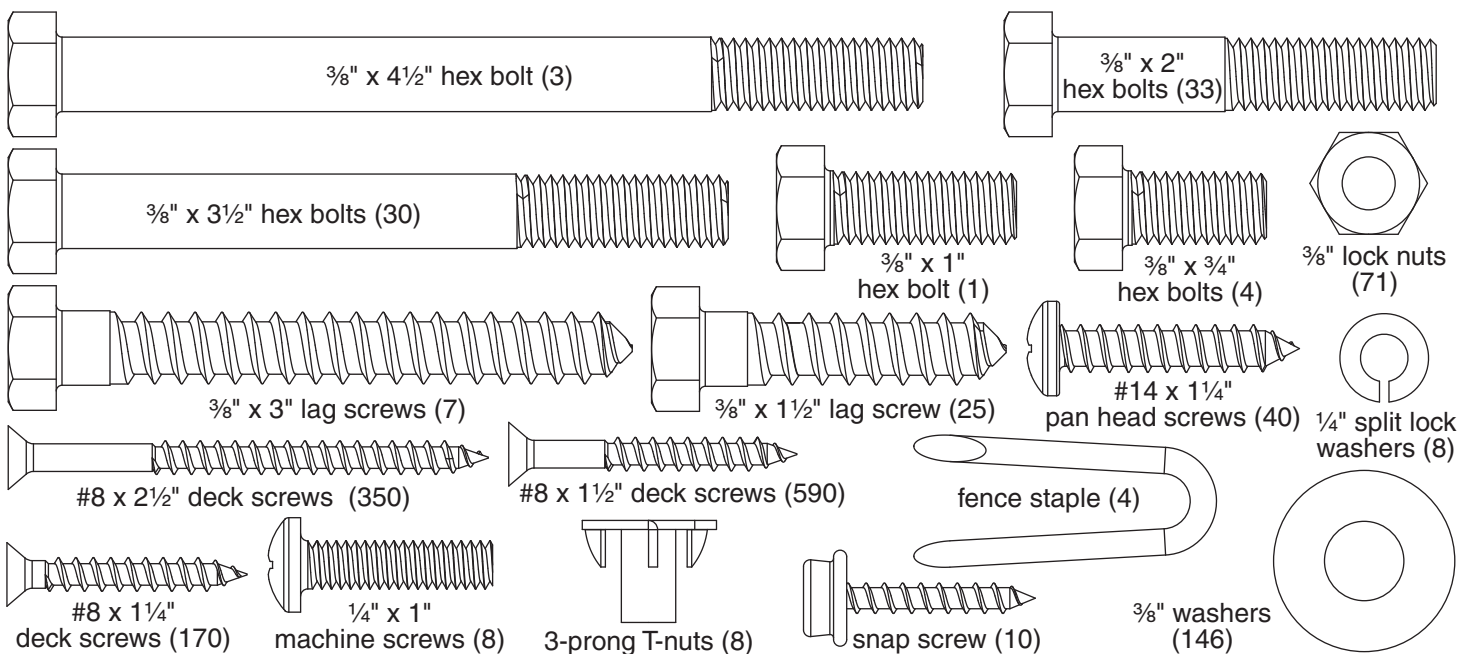
COMPONENTS INCLUDED (not actual size)



TOOLS REQUIRED

- | | | | |
|--------|-------------------|-----------------------------------|----------------------|
| Level | Adjustable Wrench | Screwdriver (regular or phillips) | Sawhorses (optional) |
| Square | Socket Wrench | Tape Measure | Shovel |
| Pencil | Drill | Safety Glasses | Ladder |
| Hammer | | | |

HARDWARE INCLUDED (shown actual size)

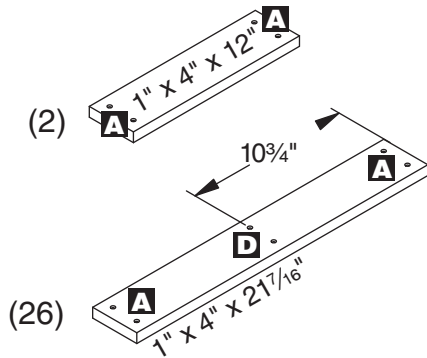


BOARDS INCLUDED

Before starting to assemble your playset, make sure all boards and hardware are identified and stacked by size. This will improve your assembly time.

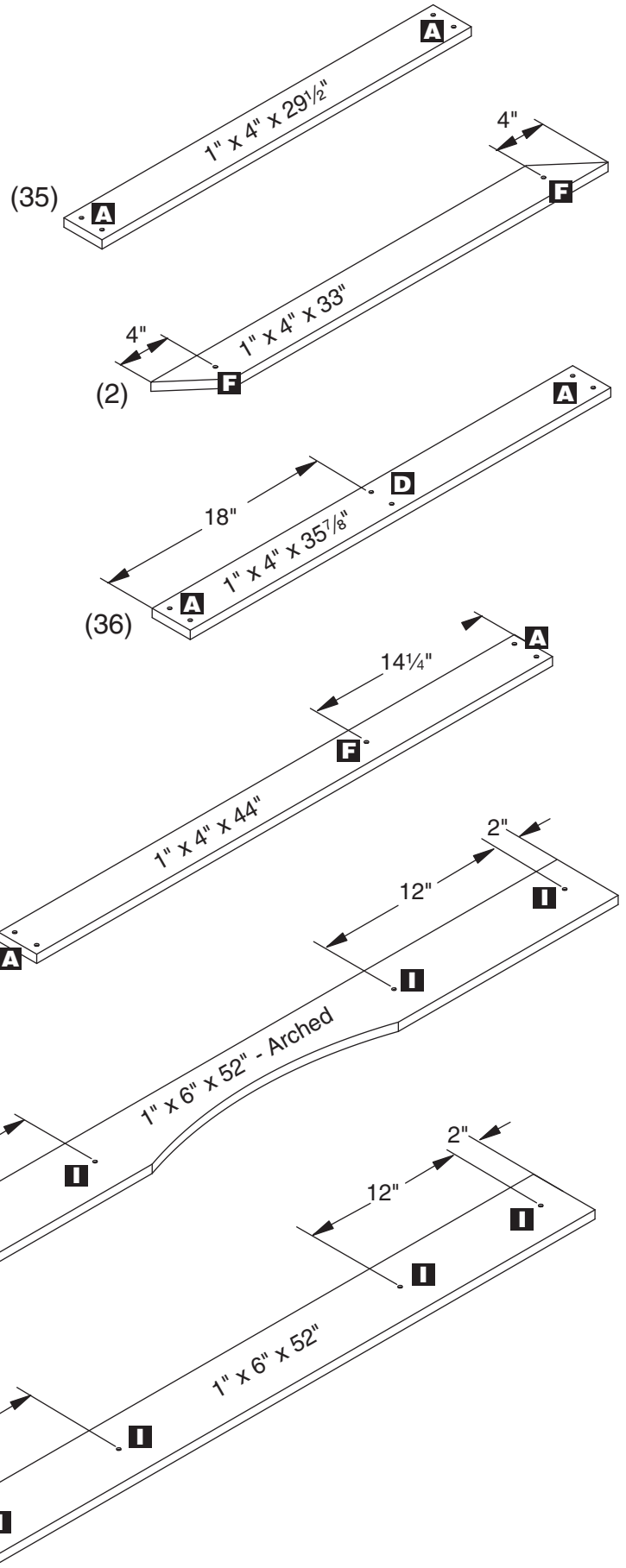
All boards are identified by “nominal” dimensions. The “actual” width and thickness of boards will vary. During assembly process, hide the marked end of the board to the inside so it is not visible on your completed playset.

The 1" x 4" and 1" x 6" boards may not be predrilled. To make the installation process easier, predrill the boards using the Drill Patterns shown. A guide on “How to Use the Drill Template” can be found on pages 7 and 8.



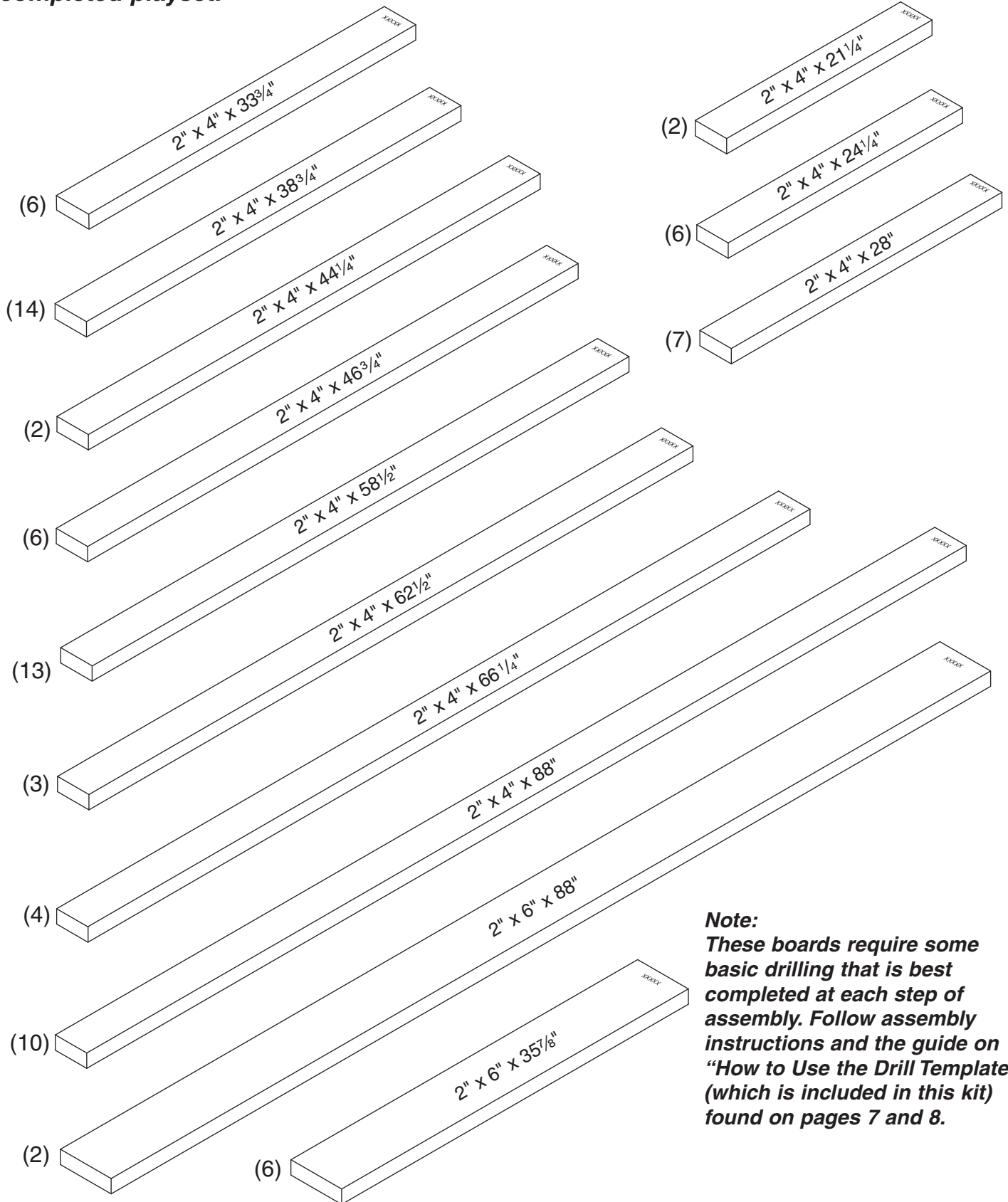
Lumber is a natural product. Imperfections such as surface cracks, knots, and minor bowing are normal. This will not affect the performance of your playset.

Thinner boards have a tendency to bow more than thicker boards. However, all minor bowing can be straightened when attaching the boards during the assembly process.



BOARDS INCLUDED

All boards are identified by “nominal” dimensions. The “actual” width and thickness of boards will vary. During assembly process, hide the marked end of the board to the inside so it is not visible on your completed playset.



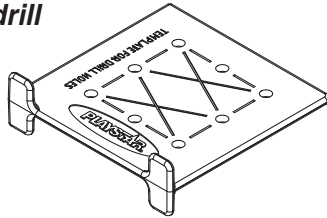
Note:
These boards require some basic drilling that is best completed at each step of assembly. Follow assembly instructions and the guide on “How to Use the Drill Template” (which is included in this kit) found on pages 7 and 8.

TEMPLATE and DRILLING INSTRUCTIONS

Your building kit includes a **Drill Template** and an **Assembly Tool Kit** to help you create some of the pilot holes needed to build your playset.

Position the template and mark only the holes that need to be drilled according to the patterns shown below. Remove the template before drilling.

WARNING: Do not drill holes through the template as you may damage the template.



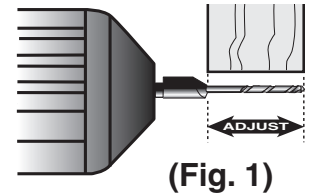
Set the drill bit depth in the $\frac{1}{8}$ " drill bit/countersink tool to the thickness of the board. (Fig. 1)

Drill locations as marked.

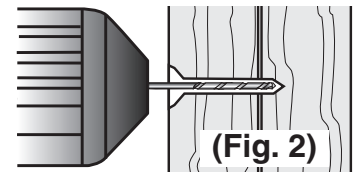
Warning: Do not countersink deeper than the depth of the screw head.

In the assembly instructions, you will be asked to attach the countersunk and predrilled boards with #8 x 2½" deck screws.

To make this process easier, use the predrilled boards as templates for drilling pilot holes into the second boards. (Fig. 2)



(Fig. 1)



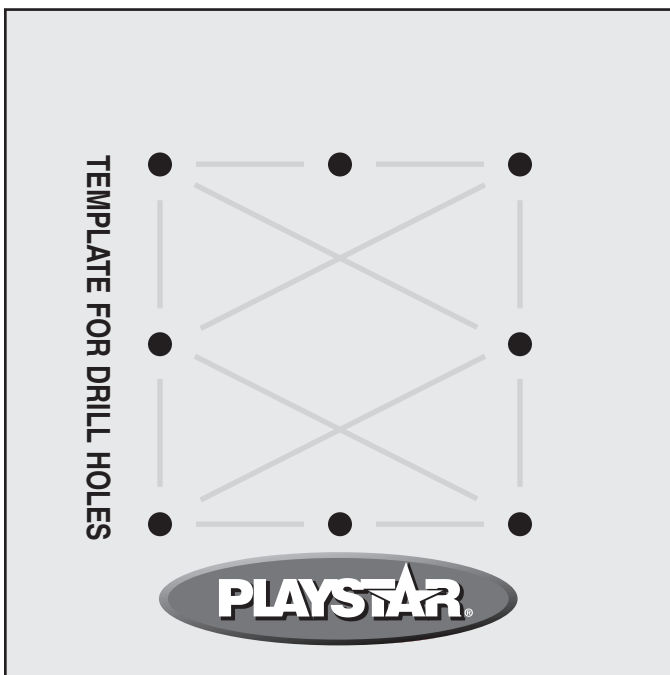
(Fig. 2)

Note: A second drill will make this process easier by eliminating multiple changes between drill bit and countersink bit.

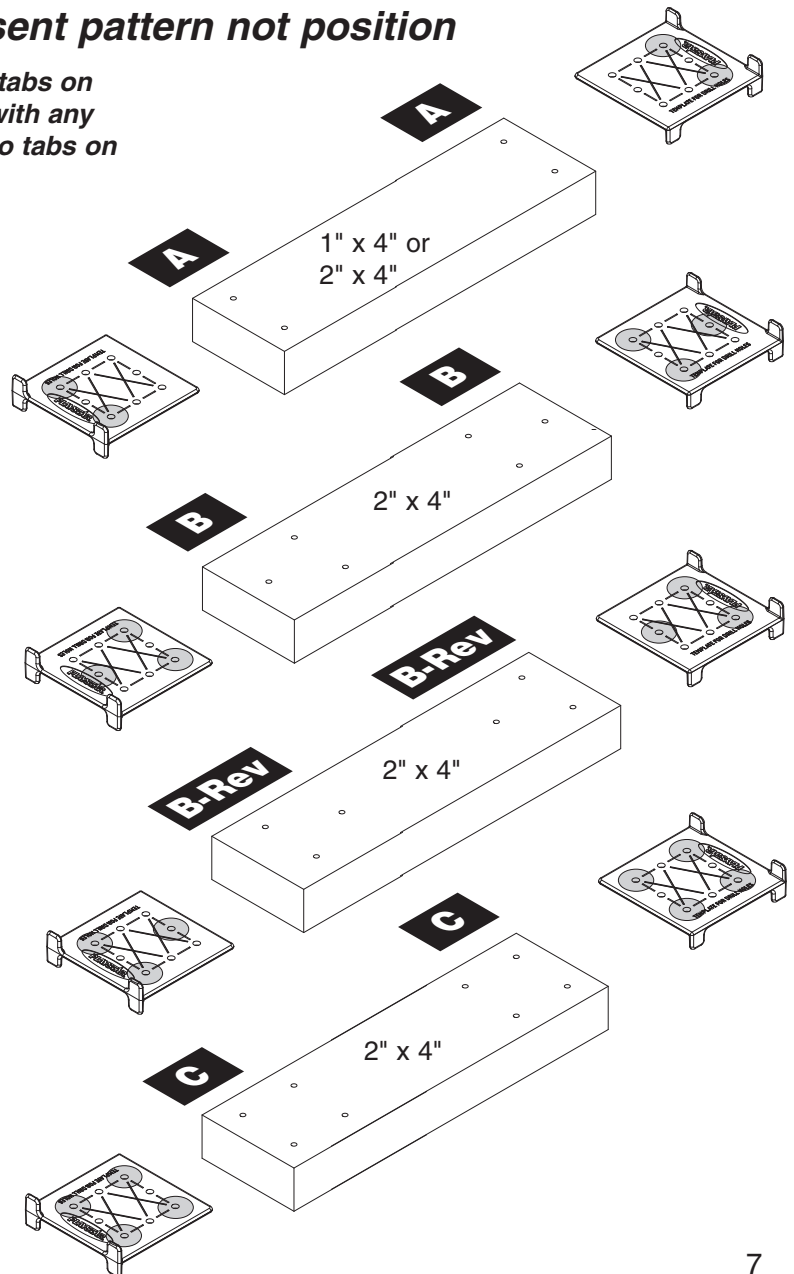
PLEASE NOTE: Letters represent pattern not position

Note: When the PlayStar logo is showing, the three tabs on the bottom will position the template square with any two edges. When the arrow is showing, the two tabs on the bottom will position the template square with one edge only, which will allow you to slide the template anywhere along the board.

The rigid version of the template like the one shown here can be found inside one of the hardware boxes.



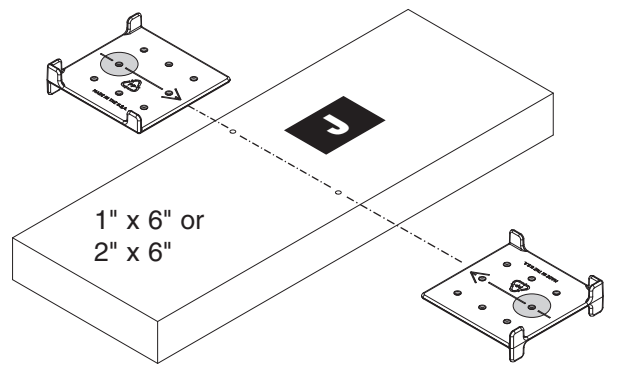
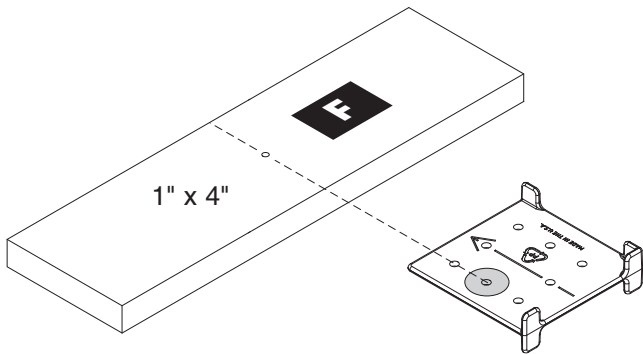
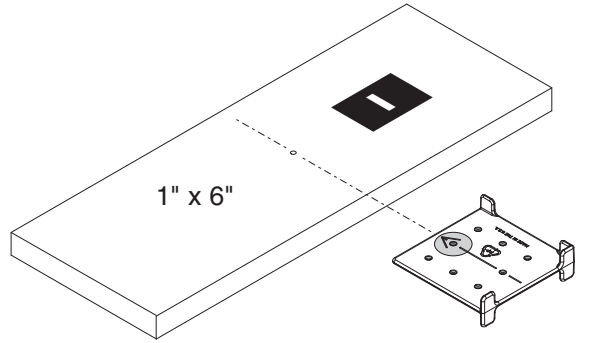
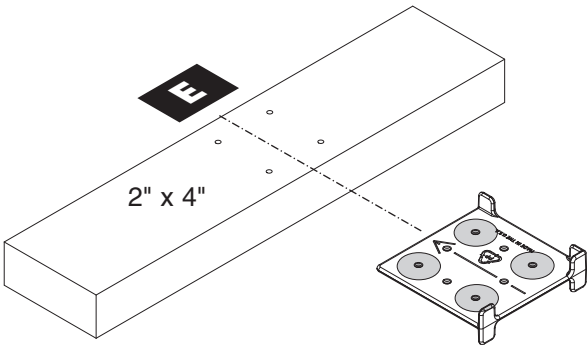
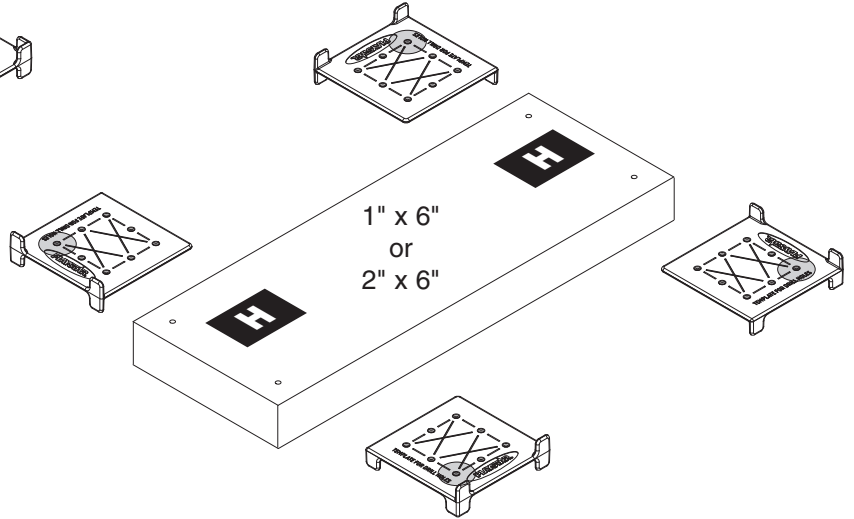
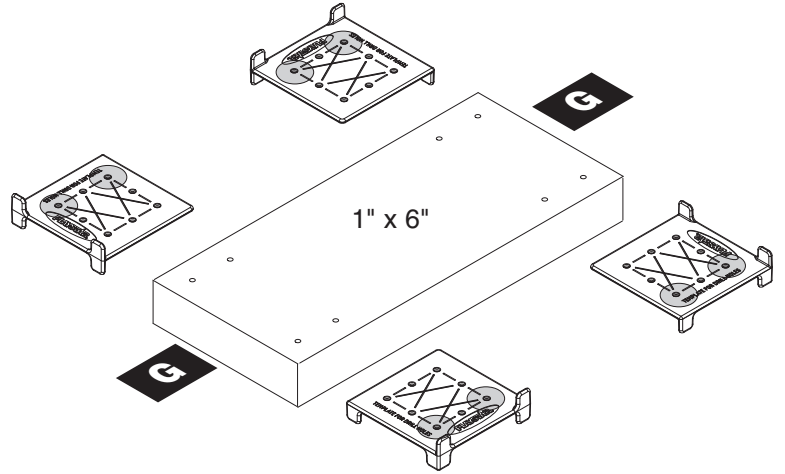
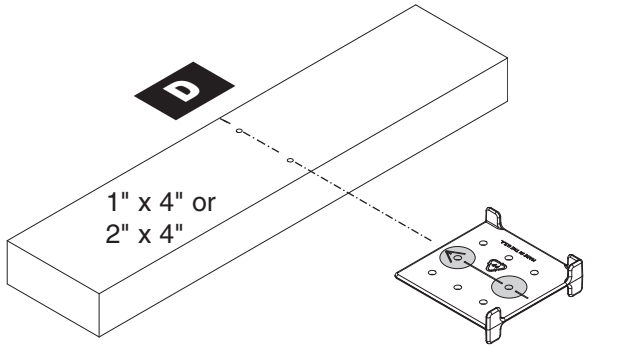
Actual Size Template



PLEASE NOTE

(Letters represent pattern not position)

Patterns **D E F I** and **J** can be created anywhere along the board by turning the template over (arrow side up) and sliding it to the desired position. Use the shaded holes for that pattern.

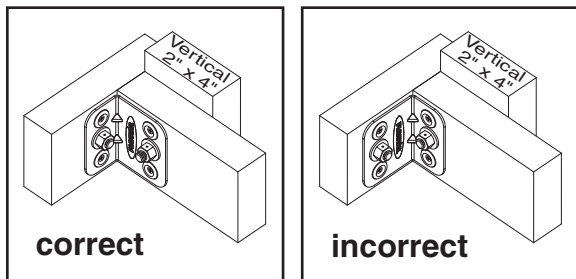


ATTACHING CORNER BRACKETS

There are several steps in the assembly of your playset when you will be asked to attach “corner brackets”. Please review these diagrams to understand where to place the brackets, how to attach them, and what hardware to use.

POSITIONING THE BRACKETS:

The “corner bracket” has one long side and one short side. The holes on the long side of the bracket are placed so that when you position the bracket correctly, as directed throughout these instructions, the bolt will be almost centered in the middle of the vertical 2" x 4" when installed. (See diagram)



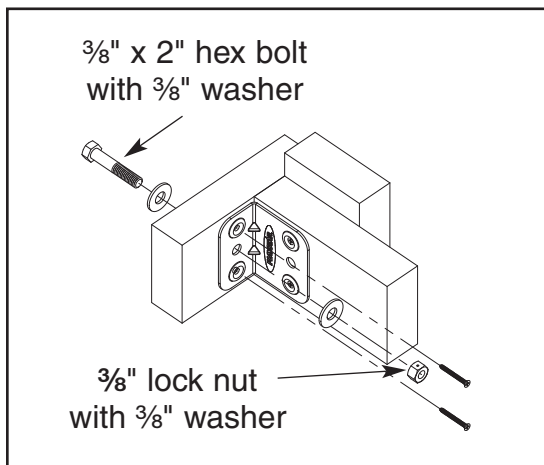
Caution: *If the bracket was flipped and the short side was against the double board when you drilled, the holes will be too close to the edge of the vertical 2" x 4".*

ATTACHING AND SECURING THE BRACKETS:

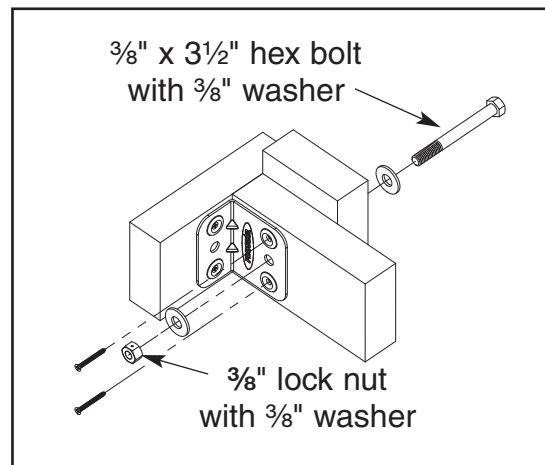
1. Hold bracket in position and use the bracket as a drill guide. Use a $\frac{1}{8}$ " drill bit and drill through the small holes 1" deep into the boards.
2. Attach the bracket with #8 x $1\frac{1}{4}$ " deck screws.
3. Again use the bracket as a drill guide. Use a $\frac{3}{8}$ " drill bit and drill through the large holes completely through the boards.
4. Secure the bracket with $\frac{3}{8}$ " hex bolts, $\frac{3}{8}$ " washers, and $\frac{3}{8}$ " lock nuts as shown.

Note: *You will use different length bolts to secure the corner brackets.*

- *If you drilled through one board you will need to use a $\frac{3}{8}$ " x 2" hex bolt.*
- *If you drilled through two boards you will need to use a $\frac{3}{8}$ " x $3\frac{1}{2}$ " hex bolt*
- *If you drilled through three boards you will need to use a $\frac{3}{8}$ " x $4\frac{1}{2}$ " hex bolt*



Securing through one board
use $\frac{3}{8}$ " x 2" hex bolt.



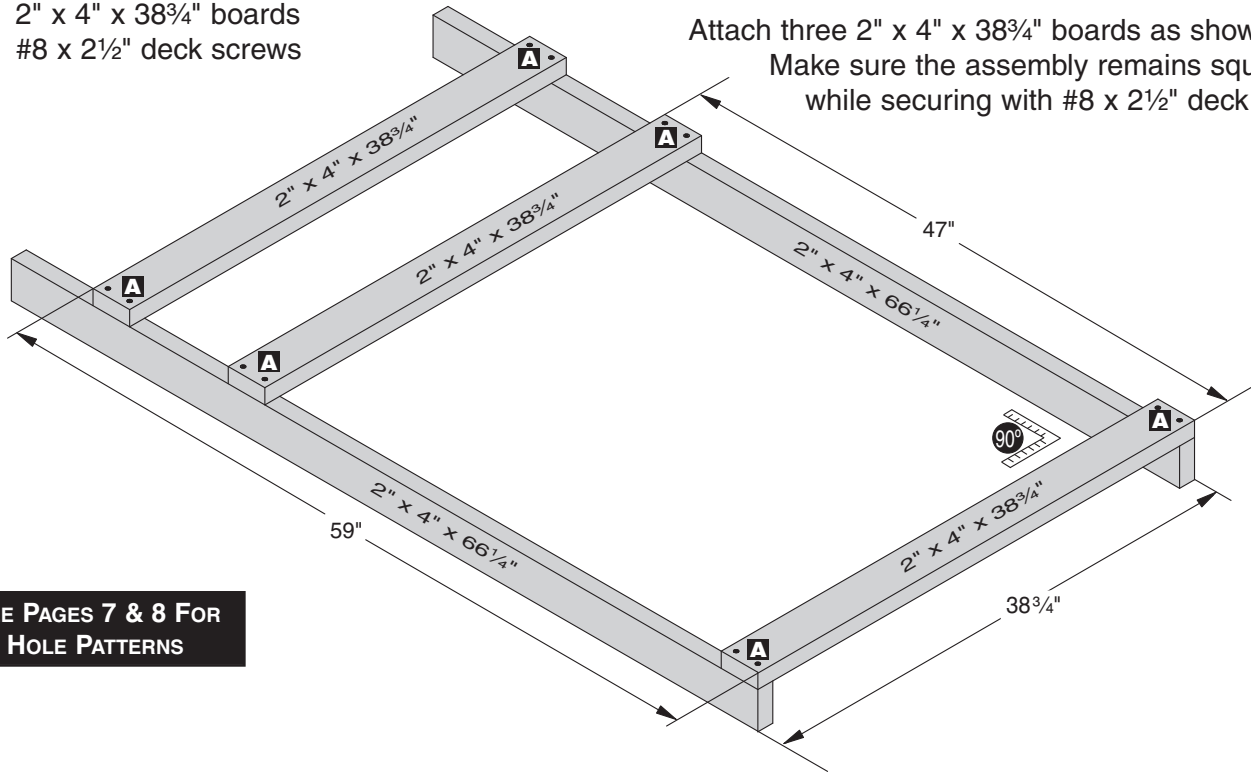
Securing through two boards
use $\frac{3}{8}$ " x $3\frac{1}{2}$ " hex bolt.

TOWER ASSEMBLY

Items for STEP 1:

- (2) 2" x 4" x 66 $\frac{1}{4}$ " boards
- (3) 2" x 4" x 38 $\frac{3}{4}$ " boards
- (12) #8 x 2 $\frac{1}{2}$ " deck screws

On a flat work surface, lay out two 2" x 4" x 66 $\frac{1}{4}$ " boards 38 $\frac{3}{4}$ " apart. Measure and mark both boards at dimensions shown.



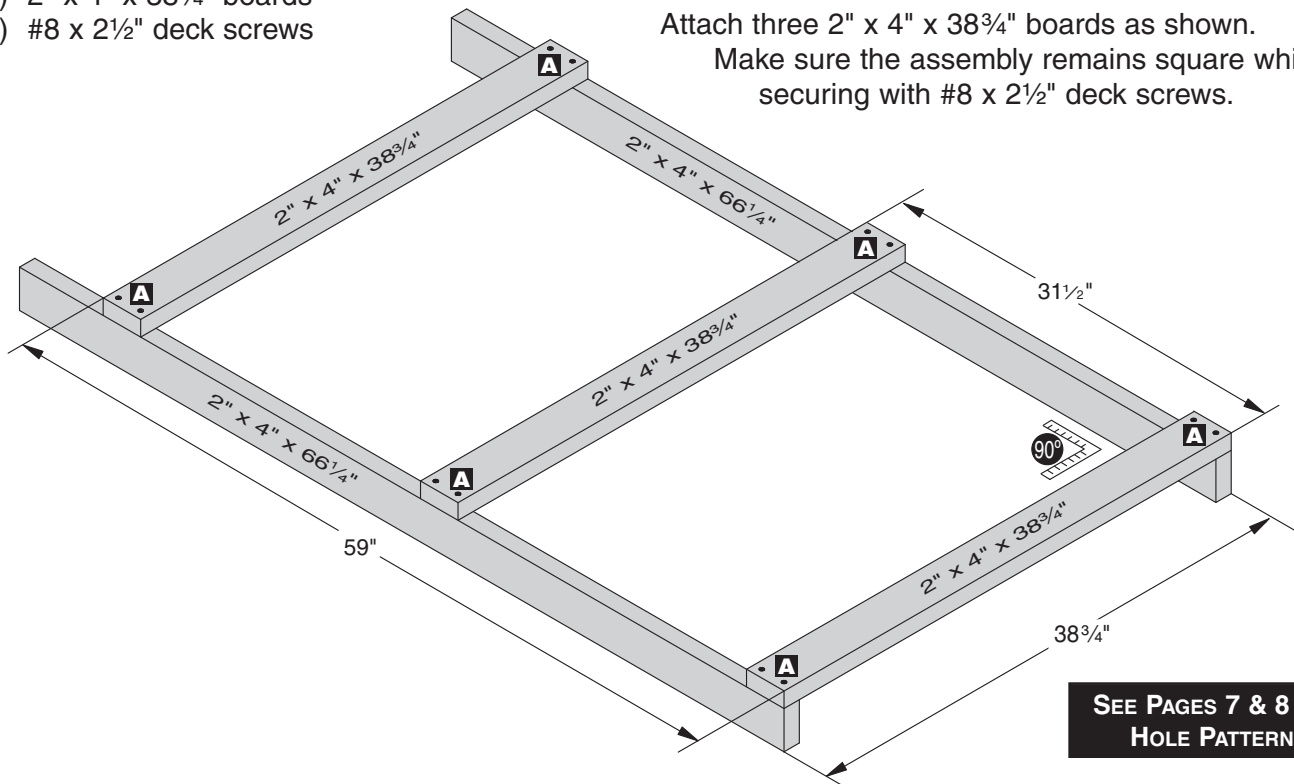
Attach three 2" x 4" x 38 $\frac{3}{4}$ " boards as shown. Make sure the assembly remains square while securing with #8 x 2 $\frac{1}{2}$ " deck screws.

SEE PAGES 7 & 8 FOR HOLE PATTERNS

Items for STEP 2:

- (2) 2" x 4" x 66 $\frac{1}{4}$ " boards
- (3) 2" x 4" x 38 $\frac{3}{4}$ " boards
- (12) #8 x 2 $\frac{1}{2}$ " deck screws

On a flat work surface, lay out two 2" x 4" x 66 $\frac{1}{4}$ " boards 38 $\frac{3}{4}$ " apart. Measure and mark both boards at dimensions shown.



Attach three 2" x 4" x 38 $\frac{3}{4}$ " boards as shown. Make sure the assembly remains square while securing with #8 x 2 $\frac{1}{2}$ " deck screws.

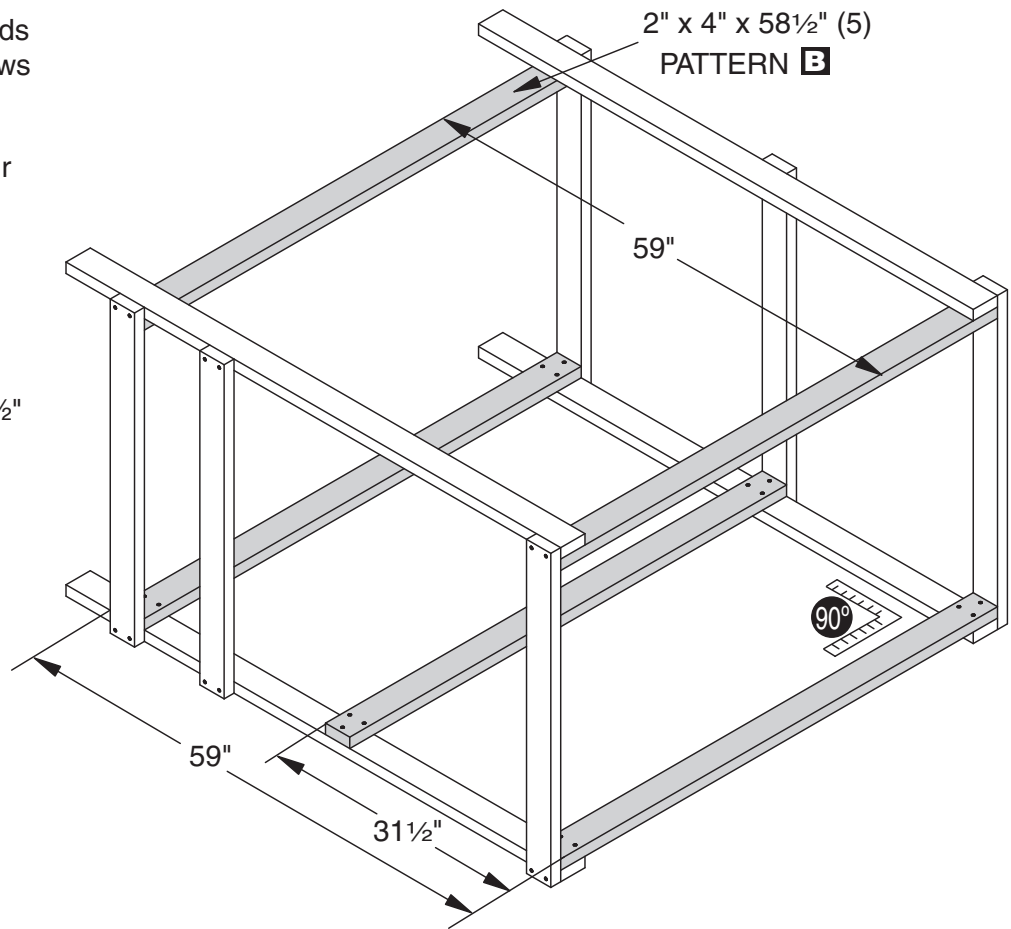
SEE PAGES 7 & 8 FOR HOLE PATTERNS

Items for STEP 3:

- (5) 2" x 4" x 58½" boards
- (30) #8 x 2½" deck screws

Stand tower frames on their sides as shown.

Attach five 2" x 4" x 58½" boards at dimensions shown. Make sure the assembly remains square while securing with #8 x 2½" deck screws.



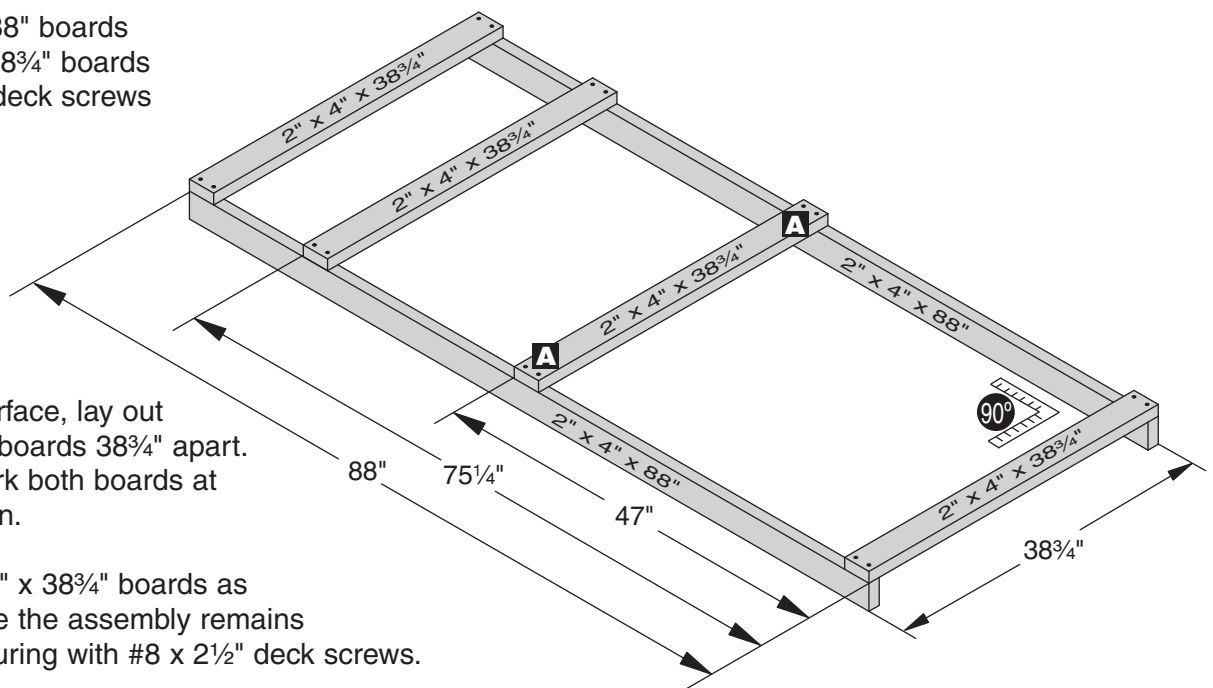
SEE PAGES 7 & 8 FOR HOLE PATTERNS

Items for STEP 4:

- (2) 2" x 4" x 88" boards
- (4) 2" x 4" x 38¾" boards
- (16) #8 x 2½" deck screws

On a flat work surface, lay out two 2" x 4" x 88" boards 38¾" apart. Measure and mark both boards at dimensions shown.

Attach four 2" x 4" x 38¾" boards as shown. Make sure the assembly remains square while securing with #8 x 2½" deck screws.



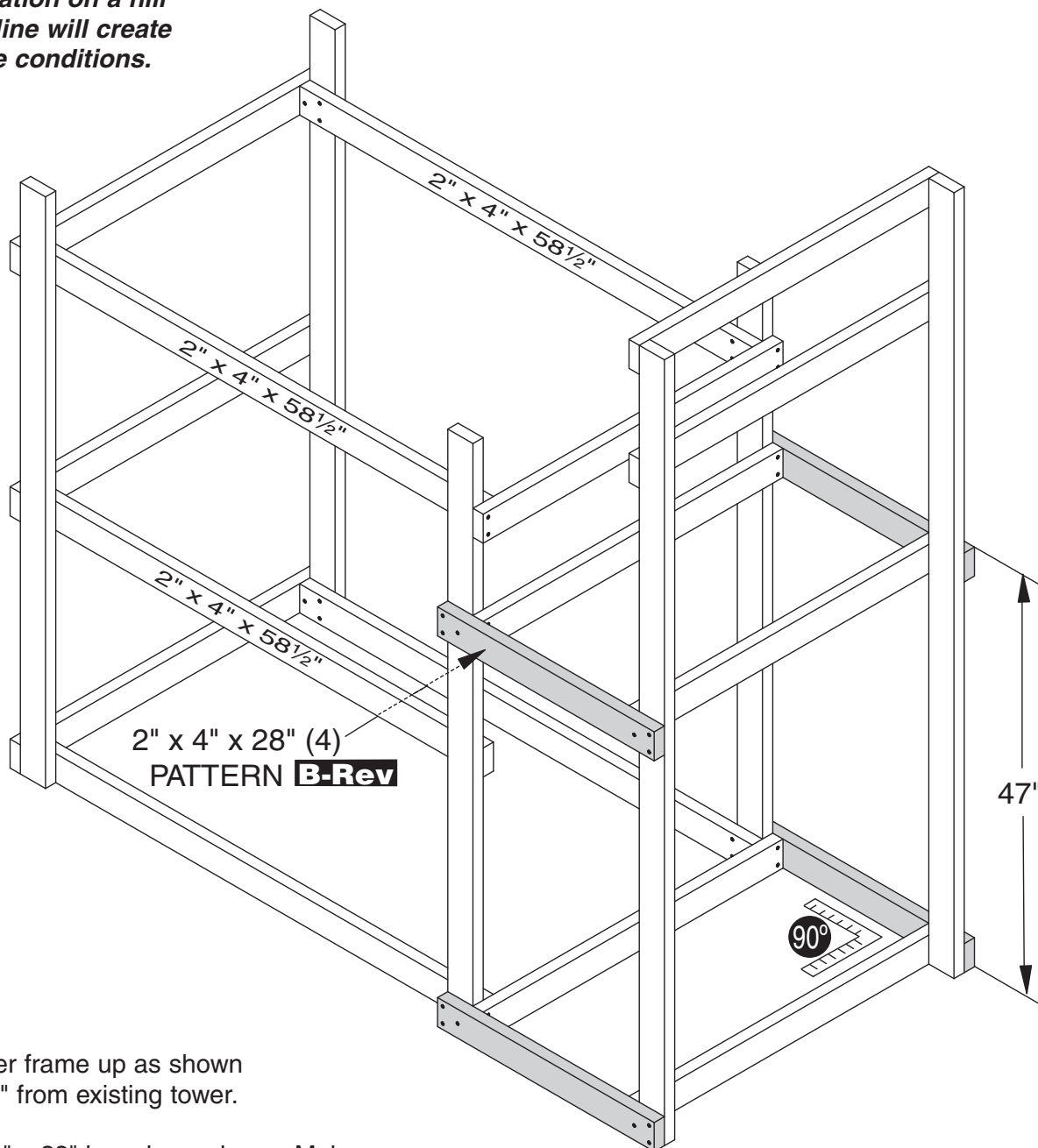
SEE PAGES 7 & 8 FOR HOLE PATTERNS

Items for STEP 5:

- (4) 2" x 4" x 28" boards
- (24) #8 x 2½" deck screws

Lift tower assembly upright and position in desired location.

Caution: *Ground must be level. Installation on a hill or incline will create unsafe conditions.*



Stand single tower frame up as shown approximately 28" from existing tower.

Attach four 2" x 4" x 28" boards as shown. Make sure the assembly remains square while securing with #8 x 2½" deck screws.

SEE PAGES 7 & 8 FOR HOLE PATTERNS

Items for **STEP 6:**

- (14) Corner Brackets
- (56) #8 x 1 1/4" deck screws
- (2) 3/8" x 4 1/2" hex bolts
- (12) 3/8" x 3 1/2" hex bolts
- (12) 3/8" x 2" hex bolts
- (2) 3/8" x 1 1/2" lag screws
- (54) 3/8" washers
- (26) 3/8" lock nuts

Attach corner brackets.

Position brackets **1** through **12** so that the short sides are against the 2" x 4" x 38 3/4" boards. (See Page 9 for details.)

Use the bracket as a drill guide and drill 1/8" holes 1" deep into the boards. Attach with #8 x 1 1/4" deck screws.

Again use the bracket as a drill guide and drill 3/8" holes completely through the boards. Secure with 3/8" hex bolts, 3/8" washers and 3/8" lock nuts. (See Page 9 for details.)

NOTE:

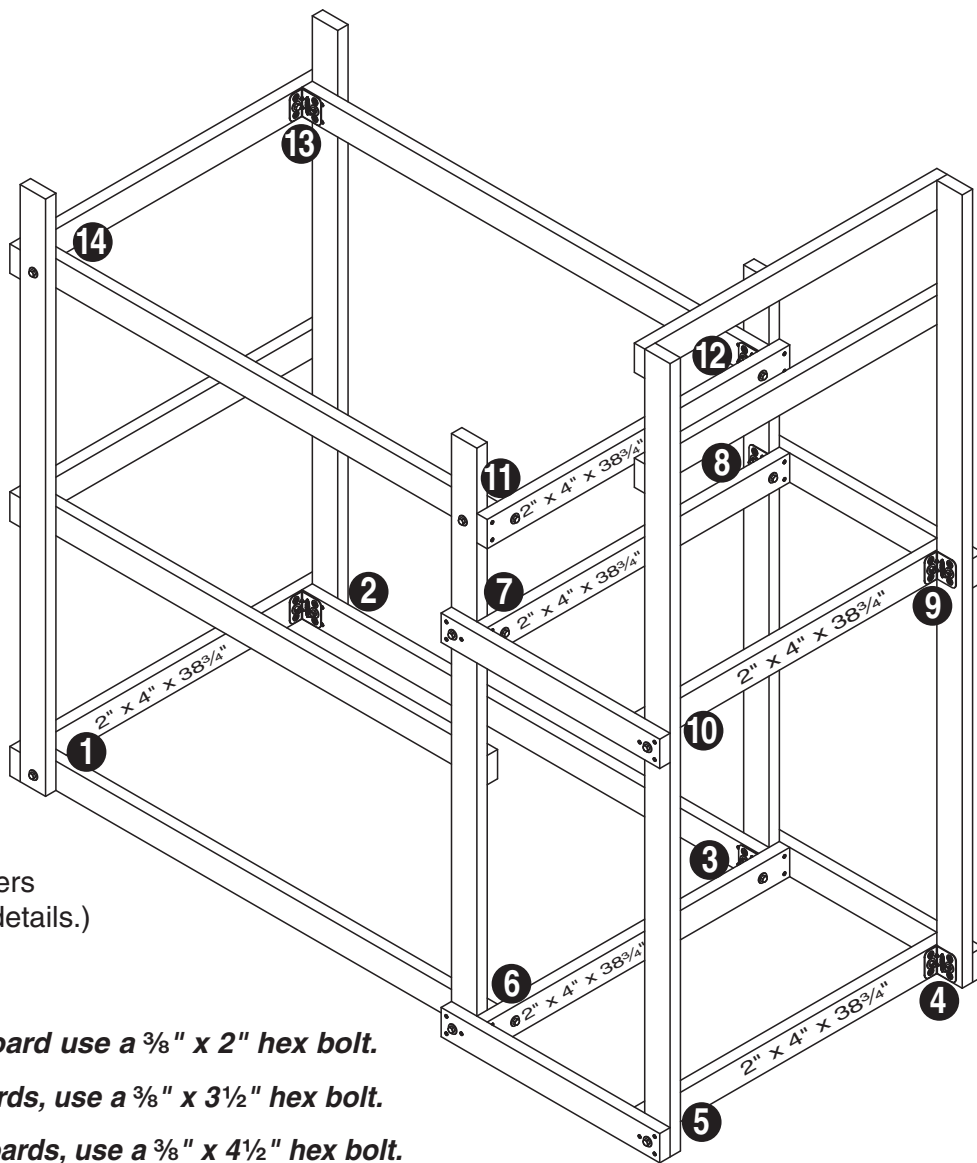
If you are bolting through one board use a 3/8" x 2" hex bolt.

If you are bolting through two boards, use a 3/8" x 3 1/2" hex bolt.

If you are bolting through three boards, use a 3/8" x 4 1/2" hex bolt.

(If your lumber is oversized, counterboring may be required.)

Use 1/8" spade bit approximately 1/4" deep.)



Special Instructions for Attaching Corner Brackets **13** & **14**

You will be using 1/8", 1/4" and 3/8" drill bits.

The reason for using 1/4" drill bit is for installing a lag screw so another board can be installed on the outer frame at a later step.

Position brackets so that the short side is against the 2" x 4" x 38 3/4" board.

Use the bracket as a drill guide and drill 1/8" holes 1" deep into the boards. Attach with #8 x 1 1/4" deck screws.

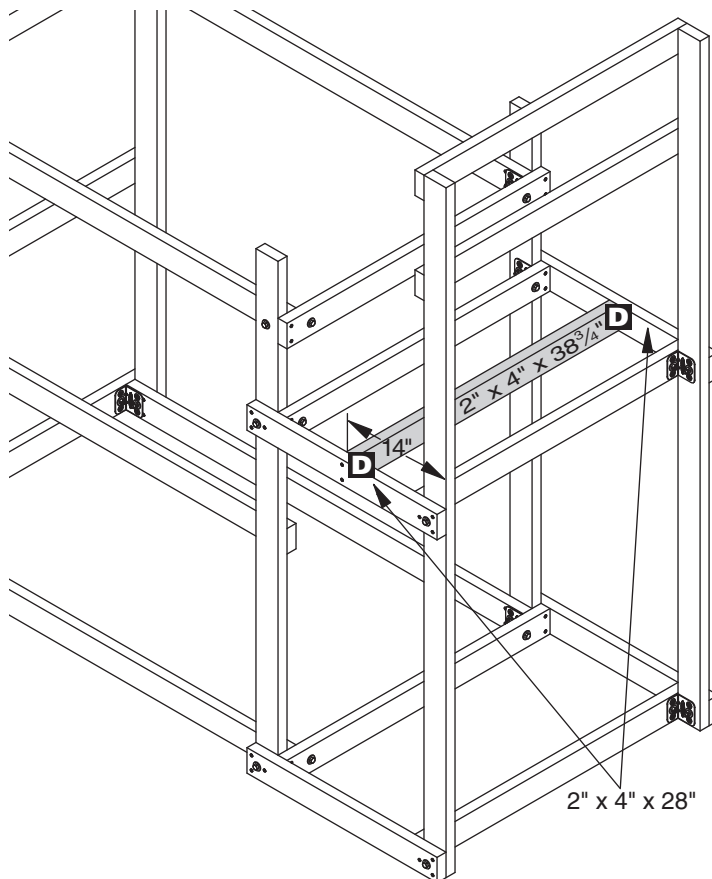
Use bracket as a drill guide and drill one 1/4" hole 1" deep into the board on the **short** side and a 3/8" hole completely through the board on the **long** side. Secure the **short** side with a 3/8" x 1 1/2" lag screw and 3/8" washer. Secure the **long** side with a 3/8" x 3 1/2" hex bolt, 3/8" washers and 3/8" lock nut.

Items for **STEP 7:**

- (1) 2" x 4" x 38³/₄" board
- (4) #8 x 2¹/₂" deck screws

Pre-drill the 2" x 4" x 28" boards at the dimension shown.

Center the 2" x 4" x 38³/₄" board behind the holes and flush with the top. Secure with #8 x 2¹/₂" deck screws.



SEE PAGES 7 & 8 FOR HOLE PATTERNS

Items for **STEP 8:**

- (1) 2" x 4" x 38³/₄" board
- (12) 1" x 4" x 21⁷/₁₆" boards
- (72) #8 x 1¹/₂" deck screws
- (4) #8 x 2¹/₂" deck screws

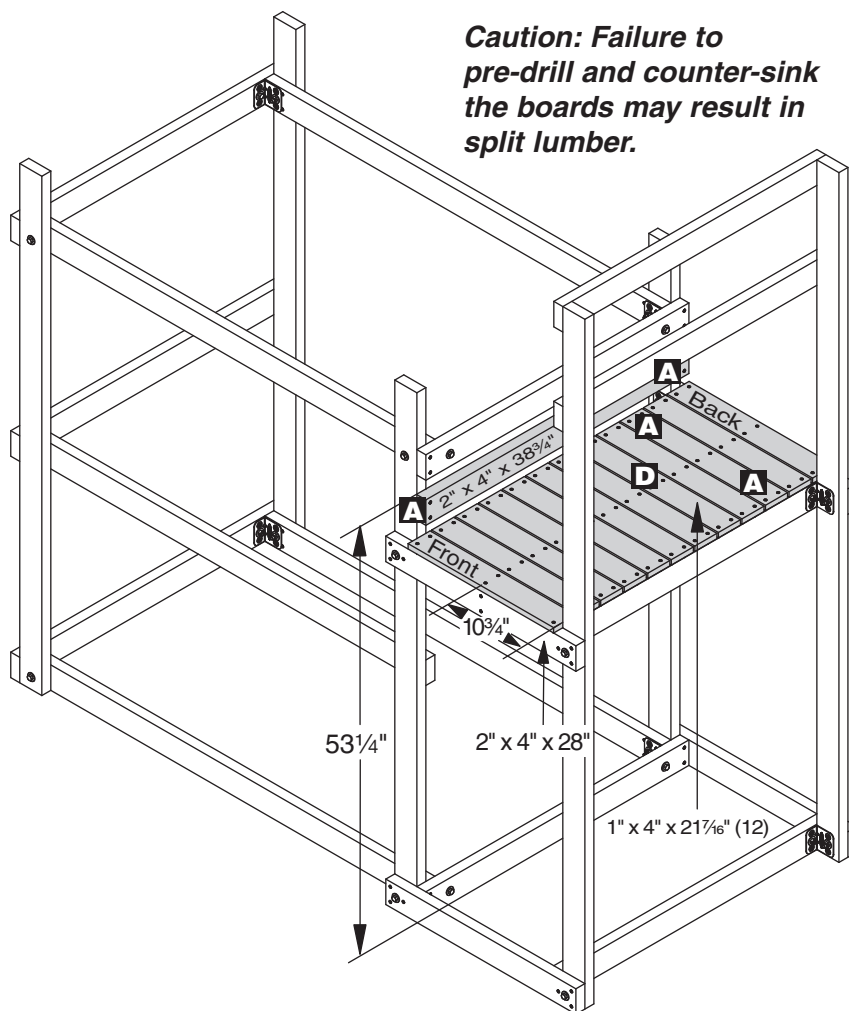
Attach twelve pre-drilled and counter-sank 1" x 4" x 21⁷/₁₆" boards.

Attach the front and back boards flush with the 2" x 4" x 28" boards and equally space the remaining boards. Secure all boards with #8 x 1¹/₂" deck screws. Do not over tighten the screws.

Note: *Gap between boards must be less than 1/4" or a finger entrapment could exist.*

Attach one 2" x 4" x 38³/₄" board at dimension shown. Secure with #8 x 2¹/₂" deck screws.

Caution: *Failure to pre-drill and counter-sink the boards may result in split lumber.*



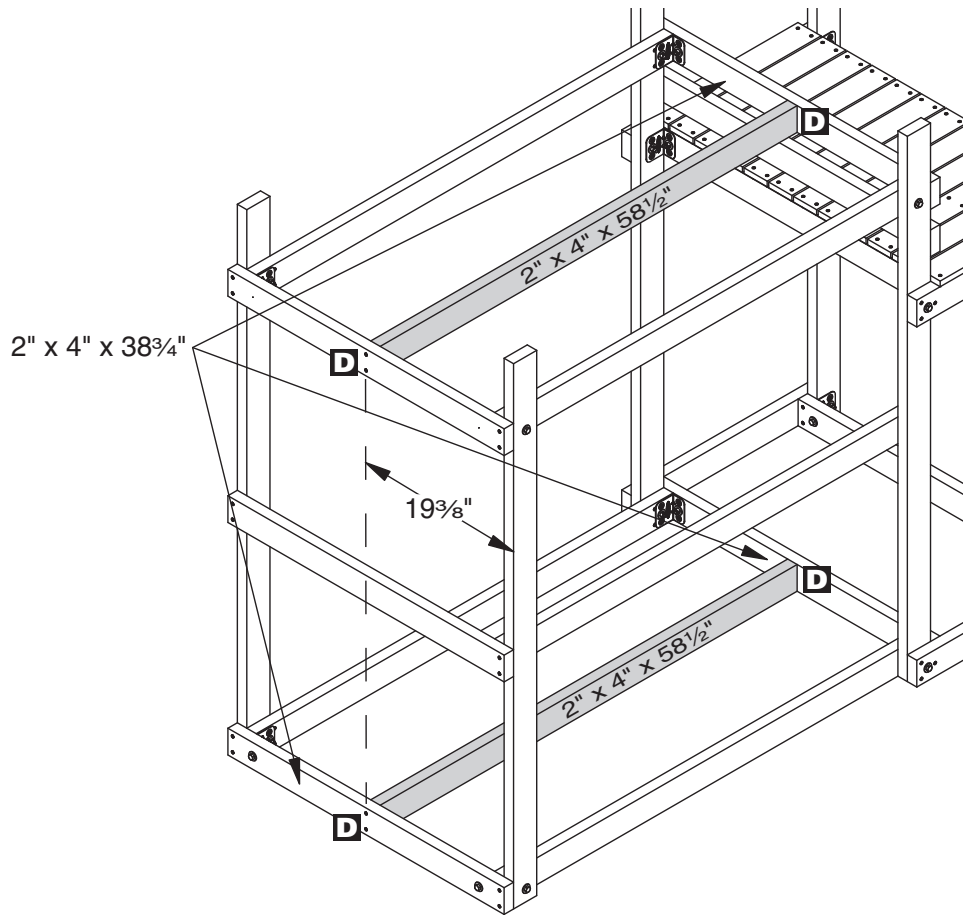
SEE PAGES 7 & 8 FOR HOLE PATTERNS

Items for **STEP 9:**

- (2) 2" x 4" x 58½" boards
- (8) #8 x 2½" deck screws

Pre-drill the 2" x 4" x 38¾" boards at the dimension shown.

Center the 2" x 4" x 58½" boards behind the holes and secure with #8 x 2½" deck screws.



SEE PAGES 7 & 8 FOR HOLE PATTERNS

Items for **STEP 10:**

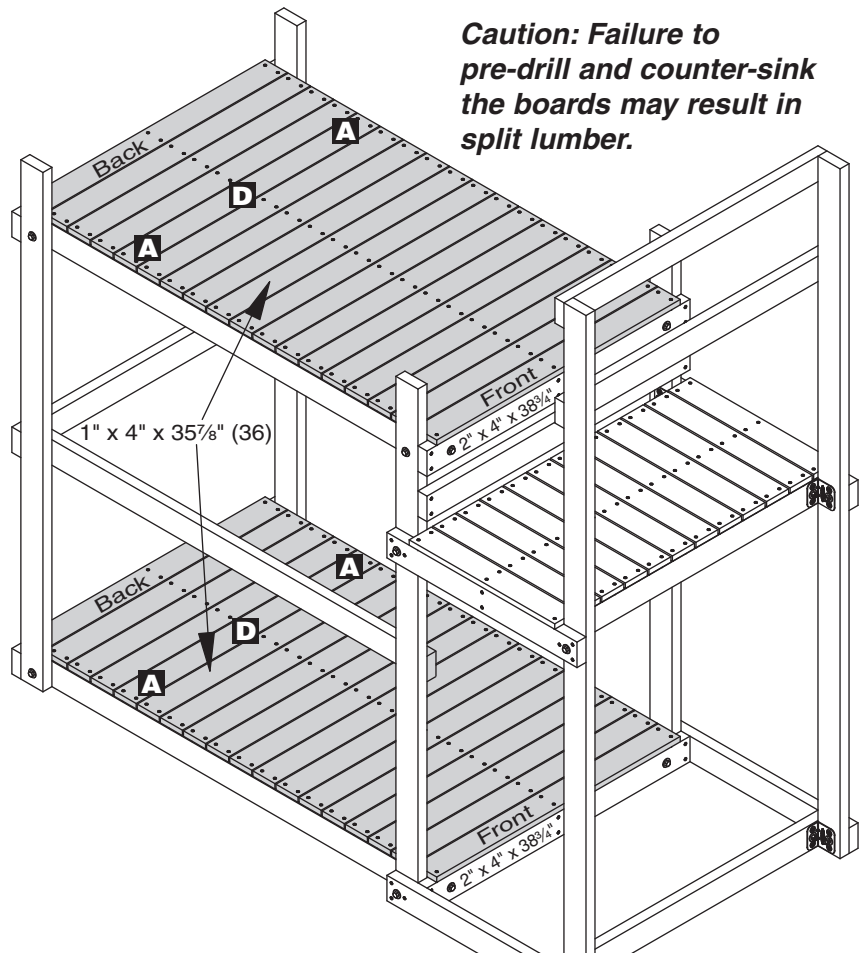
- (36) 1" x 4" x 35⅞" boards
- (216) #8 x 1½" deck screws

Attach eighteen pre-drilled and counter-sunk 1" x 4" x 35⅞" boards, on the top and the other eighteen on the bottom.

Attach the front and back boards flush with the 2" x 4" x 38¾" boards and equally space the remaining boards. Secure all boards with #8 x 1½" deck screws. Do not over tighten the screws.

Note: Gap between boards must be less than ¼" or a finger entrapment could exist.

Caution: Failure to pre-drill and counter-sink the boards may result in split lumber.



SEE PAGES 7 & 8 FOR HOLE PATTERNS

Items for **STEP 11:**

- (4) 2" x 4" x 33³/₄" boards
- (4) 2" x 4" x 24¹/₄" boards
- (32) #8 x 2¹/₂" deck screws

Attach four pre-drilled 2" x 4" x 24¹/₄" boards on the **inside** of tower, making sure they firmly rest on top of the 1" x 4" x 35⁷/₈" boards as shown. Secure with #8 x 2¹/₂" deck screws.

Attach four 2" x 4" x 33³/₄" boards on top of the 2" x 4" x 66¹/₄" boards as shown. Secure with #8 x 2¹/₂" deck screws.

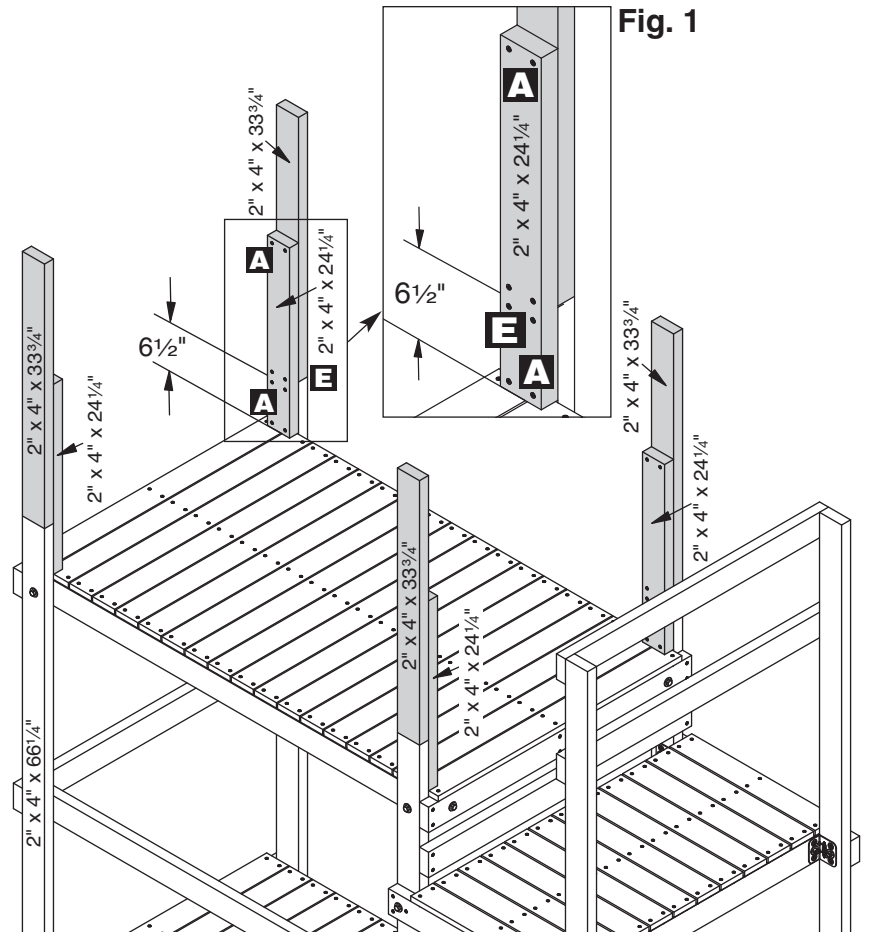


Fig. 1

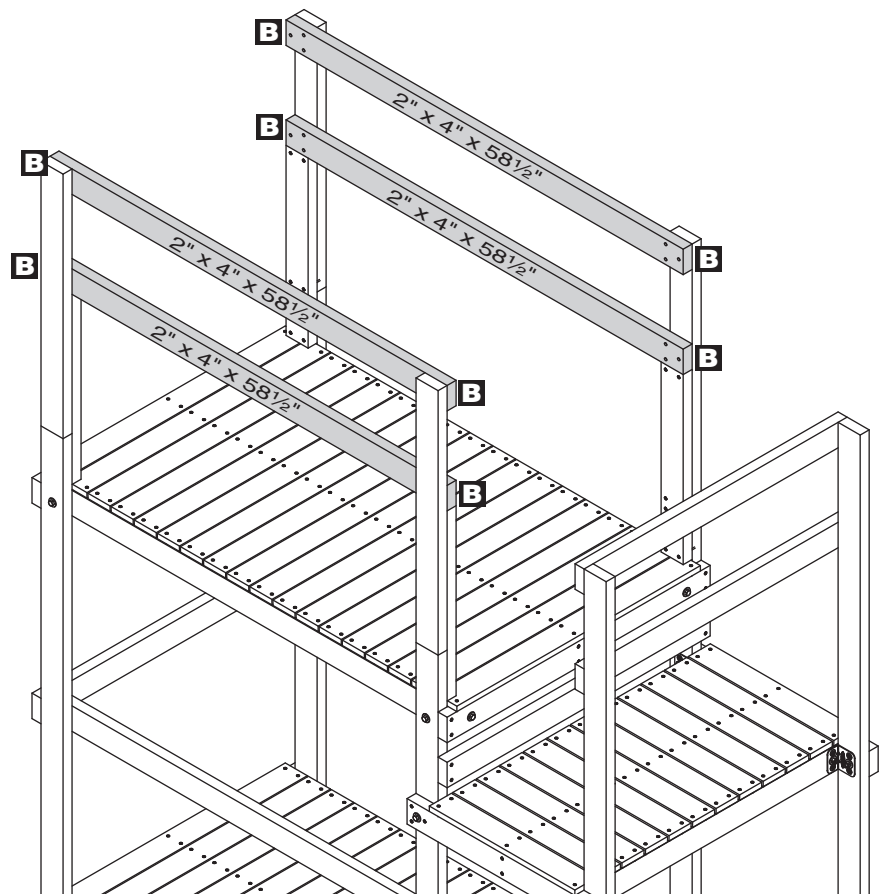
SEE PAGES 7 & 8 FOR HOLE PATTERNS

Items for **STEP 12:**

- (4) 2" x 4" x 58¹/₂" boards
- (24) #8 x 2¹/₂" deck screws

Attach two pre-drilled 2" x 4" x 58¹/₂" boards on top of the 2" x 4" x 24¹/₄" boards as shown. Secure with #8 x 2¹/₂" deck screws

Attach two pre-drilled 2" x 4" x 58¹/₂" boards flush with the top of the 2" x 4" x 33³/₄" boards as shown. Secure with #8 x 2¹/₂" deck screws

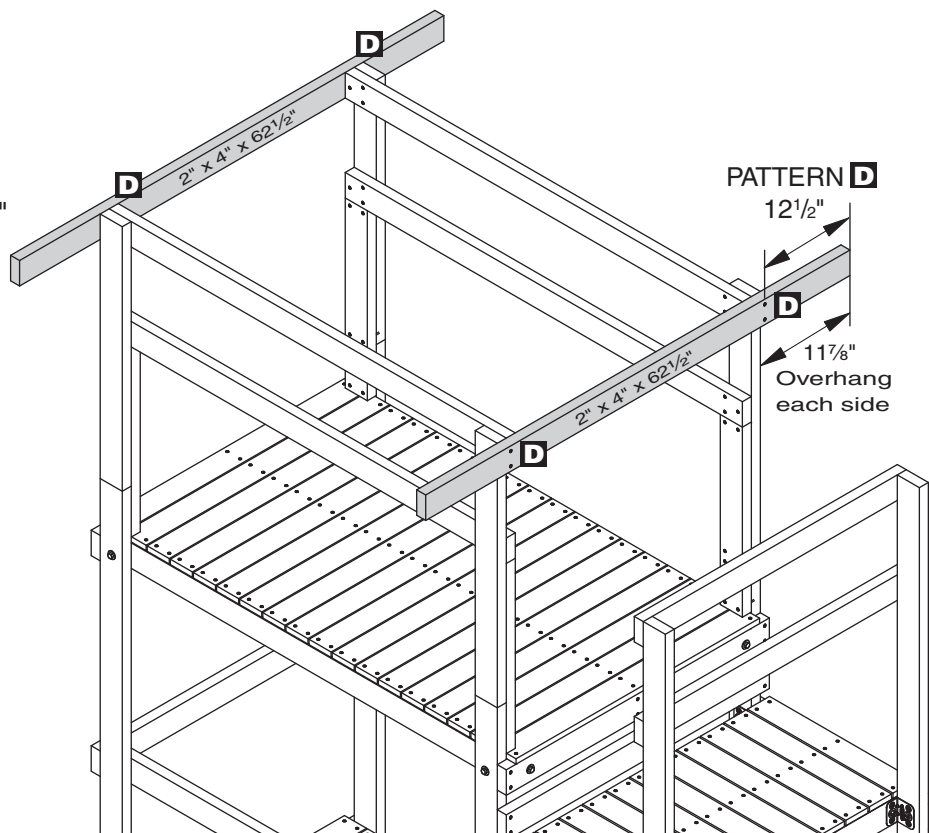


SEE PAGES 7 & 8 FOR HOLE PATTERNS

Items for **STEP 13:**

- (2) 2" x 4" x 62½" boards
- (8) #8 x 2½" deck screws

Attach two pre-drilled 2" x 4" x 62½" boards as shown. Secure with #8 x 2½" deck screws.



**SEE PAGES 7 & 8 FOR
HOLE PATTERNS**

Items for **STEP 14:**

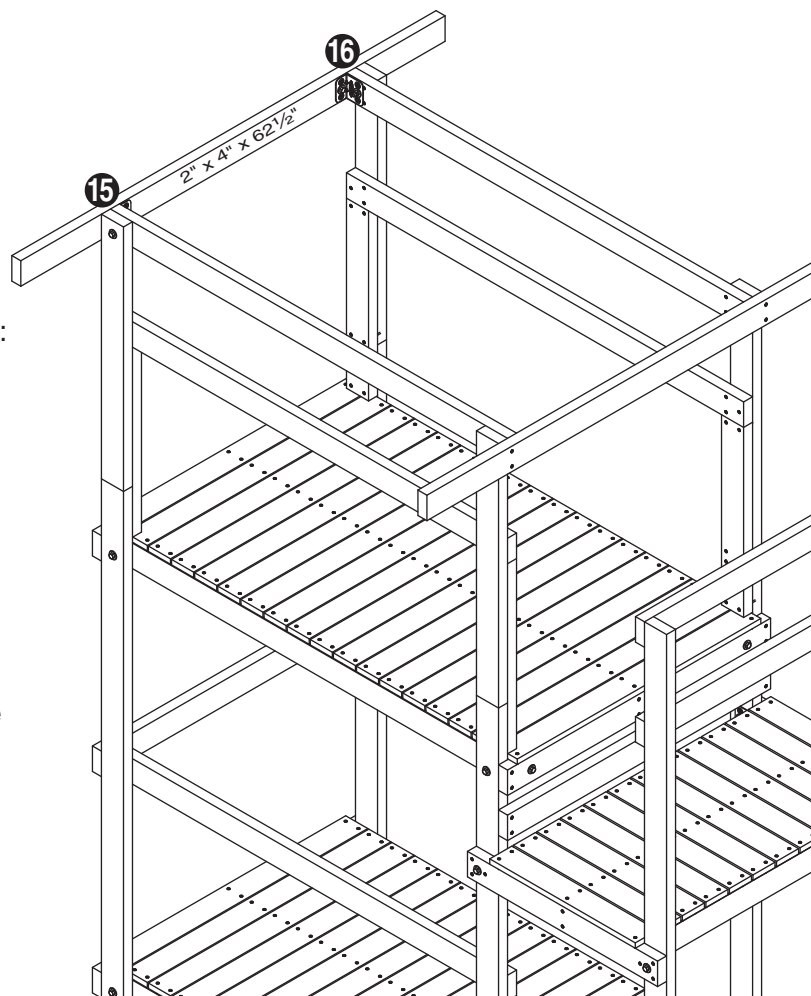
- (2) Corner Brackets
- (8) #8 x 1¼" deck screws
- (2) ⅜" x 3½" hex bolts
- (2) ⅜" x 1½" lag screws
- (6) ⅜" washers
- (2) ⅜" lock nuts

Special Instructions for Brackets **15** & **16** ONLY:

Position brackets **15** through **16** so that the short sides are against the 2" x 4" x 62½" board.

Use bracket as a drill guide and drill one ⅛" holes 1" deep into the boards. Attach with #8 x 1¼" deck screws.

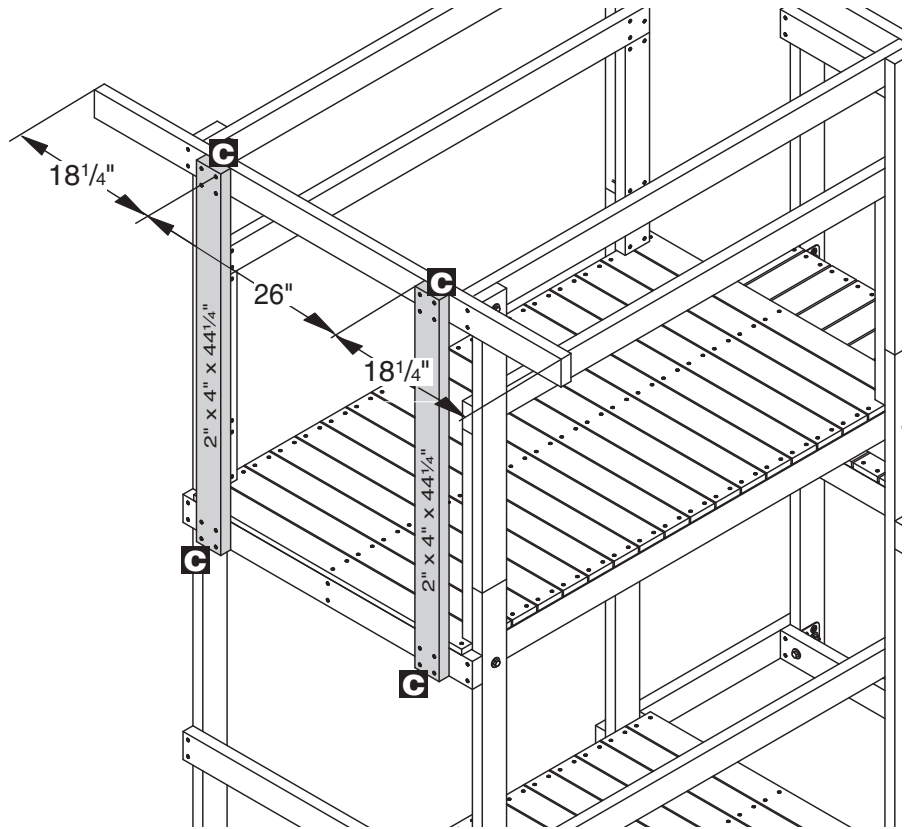
Use the brackets **15** & **16** as a drill guide and drill a ¼" hole 1" deep through the **short** side and a ⅜" hole completely through the **long** side of the board. Secure the **short** side with a ⅜" x 1½" lag screw and ⅜" washer. Secure the **long** side with a ⅜" x 3½" hex bolt, ⅜" washers and ⅜" lock nut.



Items for STEP 15:

- (2) 2" x 4" x 44 $\frac{1}{4}$ " boards
- (16) #8 x 2 $\frac{1}{2}$ " deck screws

Attach two 2" x 4" x 44 $\frac{1}{4}$ " boards at dimensions shown. Secure with #8 x 2 $\frac{1}{2}$ " deck screws.

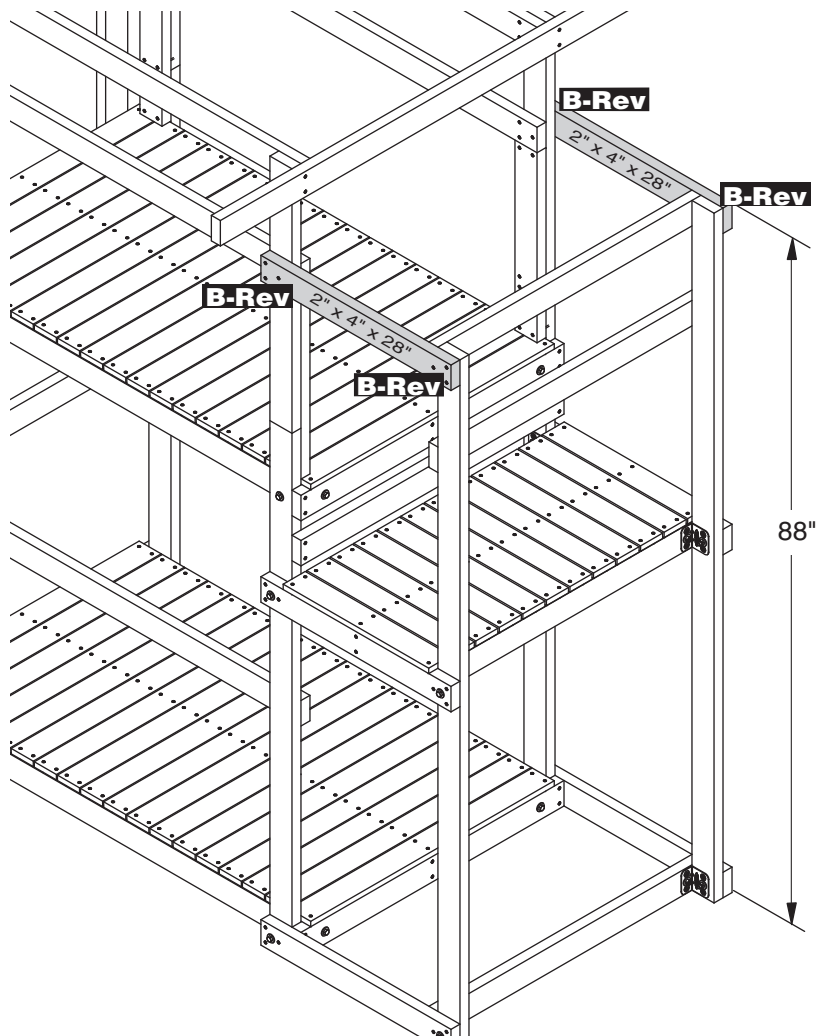


SEE PAGES 7 & 8 FOR HOLE PATTERNS

Items for STEP 16:

- (2) 2" x 4" x 28" boards
- (12) #8 x 2 $\frac{1}{2}$ " deck screws

Attach two 2" x 4" x 28" boards as shown. Make sure the assembly remains square while securing with #8 x 2 $\frac{1}{2}$ " deck screws.



SEE PAGES 7 & 8 FOR HOLE PATTERNS

Items for **STEP 17:**

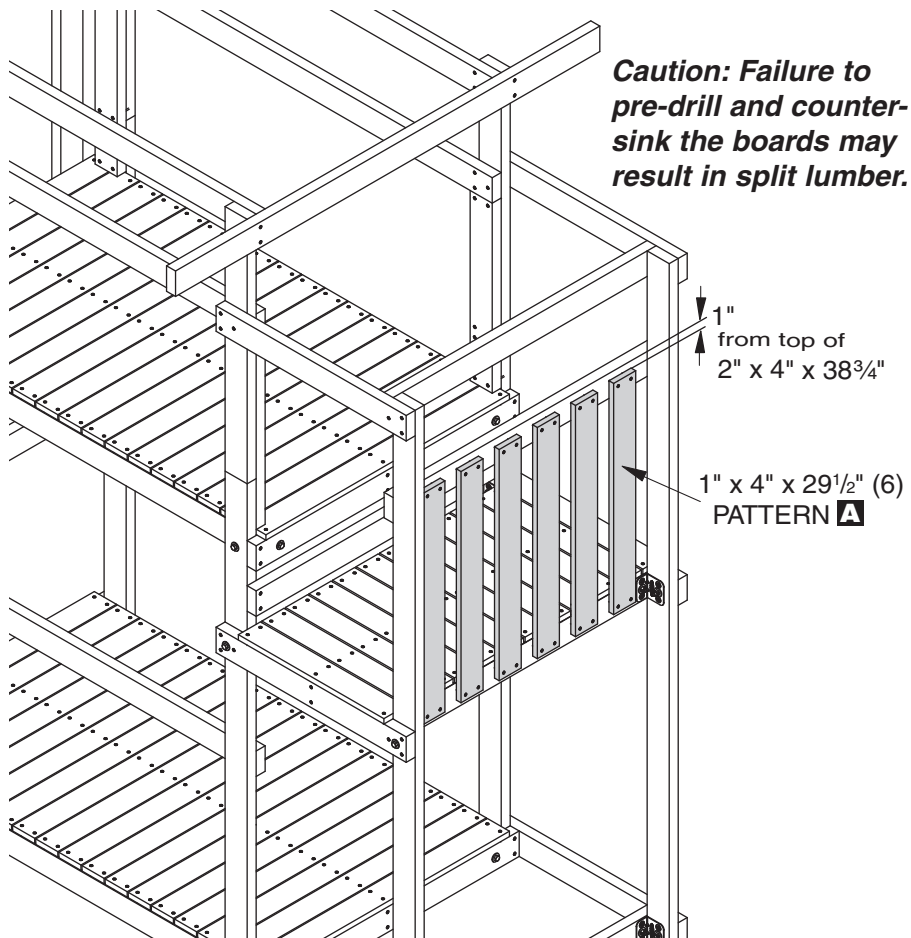
- (6) 1" x 4" x 29½" boards
- (24) #8 x 1½" deck screws

Attach six pre-drilled and counter-sank 1" x 4" x 29½" boards on the **outside** of tower as shown. Equally space boards and secure with #8 x 1½" deck screws. Do not over tighten the screws.

Note: *Gap between 1" x 4" x 29½" boards must not exceed 3½" or a head entrapment could exist.*

Helpful Hint: *The gap between boards should be approximately 2¾".*

SEE PAGES 7 & 8 FOR HOLE PATTERNS



Items for **STEP 18:**

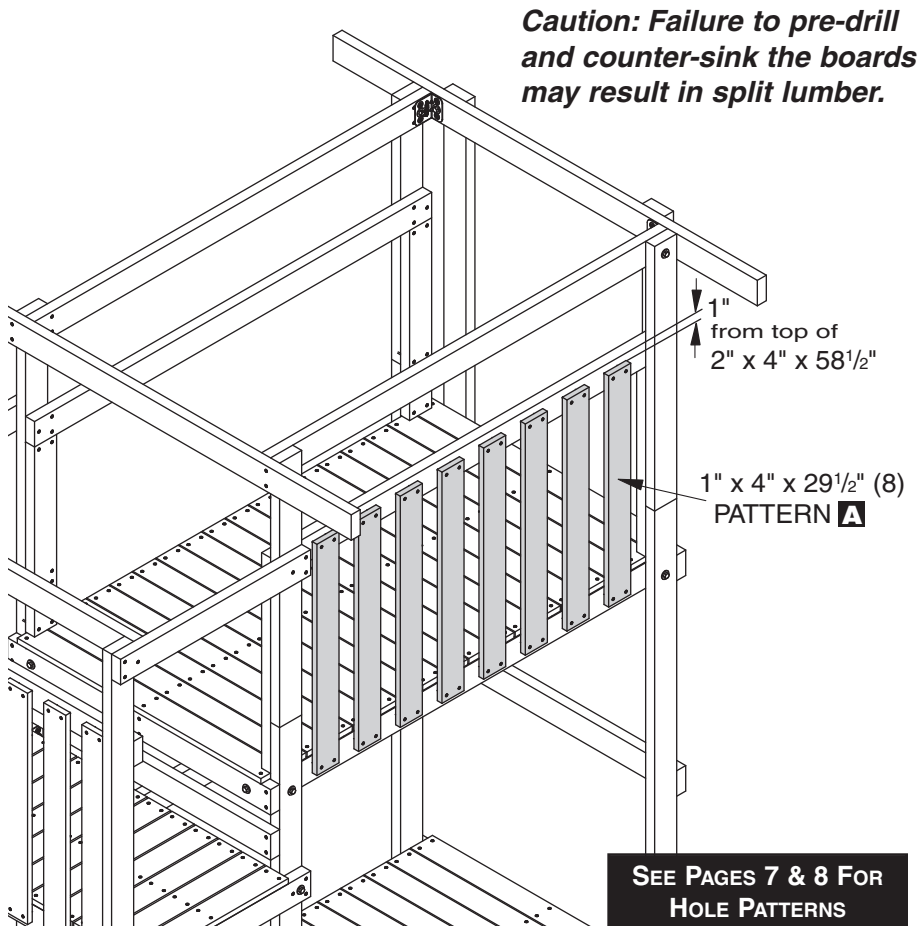
- (8) 1" x 4" x 29½" boards
- (32) #8 x 1½" deck screws

Attach eight pre-drilled and counter-sank 1" x 4" x 29½" boards on the **outside** of tower as shown. Equally space boards and secure with #8 x 1½" deck screws. Do not over tighten the screws.

Note: *Gap between 1" x 4" x 29½" boards must not exceed 3½" or a head entrapment could exist.*

Helpful Hint: *The gap between boards should be approximately 2⅞".*

SEE PAGES 7 & 8 FOR HOLE PATTERNS



Items for STEP 19:

- (8) 1" x 4" x 44" boards
- (7) 1" x 4" x 29½" boards
- (68) #8 x 1½" deck screws

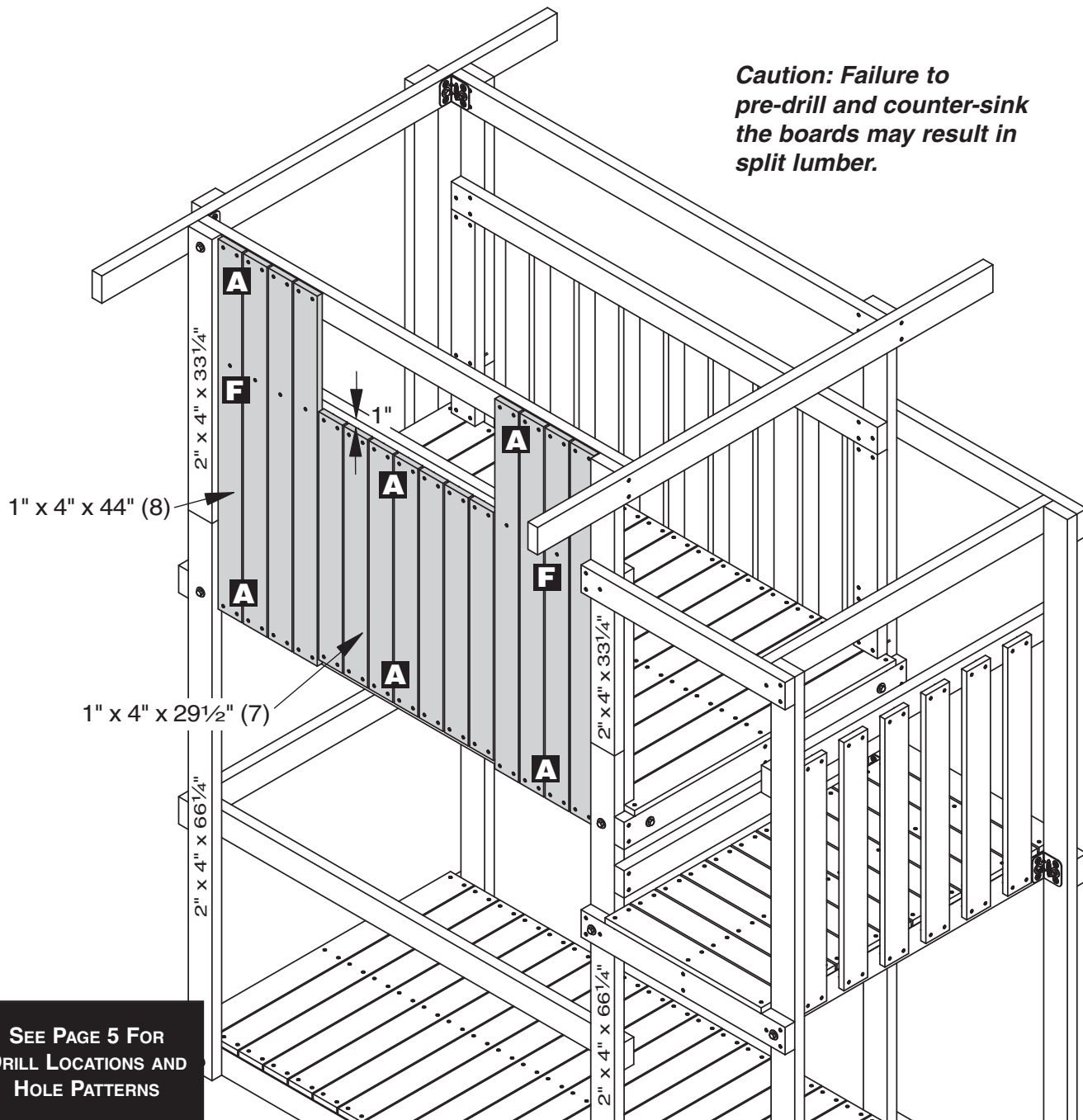
Attach eight pre-drilled and counter-sank 1" x 4" x 44" and seven pre-drilled and counter-sank 1" x 4" x 29½" boards as shown. The 1" x 4" x 44" boards should be flush with the top of the tower. The 1" x 4" x 29½" boards should be 1" below the edge of the window opening. Equally space the boards. Secure each board with #8 x 1½" deck screws. Do not over tighten the screws.

Note: *Gap between boards must be less than ¼" or a finger entrapment could exist.*

Helpful Hint: *This step is better achieved if you tip the tower over on it's side, so you don't fight gravity. Two adults are required to tip the tower over. Keep the tower tipped over on it's side until you complete step 22.*

Helpful Hint: *The gap between boards should be approximately ⅜".*

Caution: *Failure to pre-drill and counter-sink the boards may result in split lumber.*



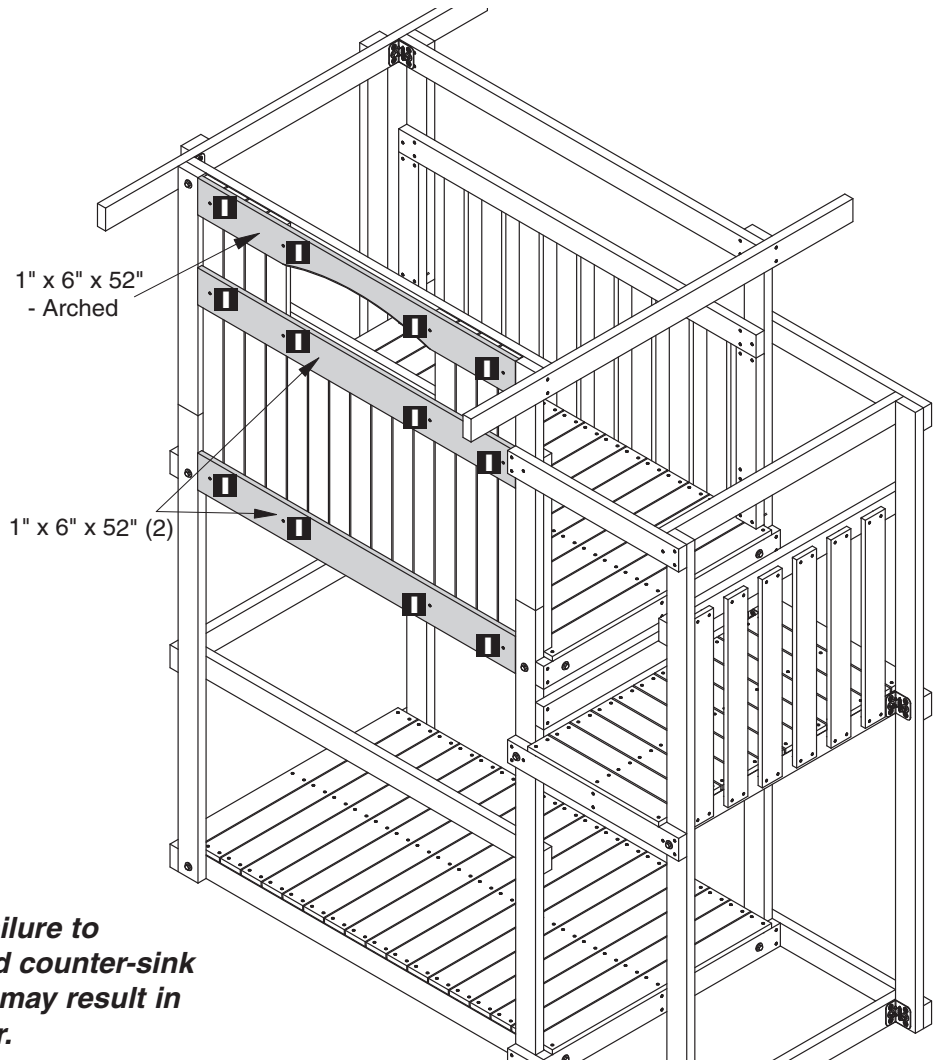
**SEE PAGE 5 FOR
DRILL LOCATIONS AND
HOLE PATTERNS**

Items for **STEP 20:**

- (1) 1" x 6" x 52" - Arched board
- (2) 1" x 6" x 52" boards
- (12) #8 x 1½" deck screws

Attach one pre-drilled and counter-sank 1" x 6" x 52" - Arched board flush with the top edge of tower as shown. Secure with #8 x 1½" deck screws. Do not over tighten the screws.

Attach two pre-drilled and counter-sank 1" x 6" x 52" boards. Attach the middle board flush with the bottom edge of window opening as shown. Attach the bottom board flush with the bottom edge of the deck as shown. Secure with #8 x 1½" deck screws. Do not over tighten the screws.



SEE PAGE 5 FOR
DRILL LOCATIONS AND
HOLE PATTERNS

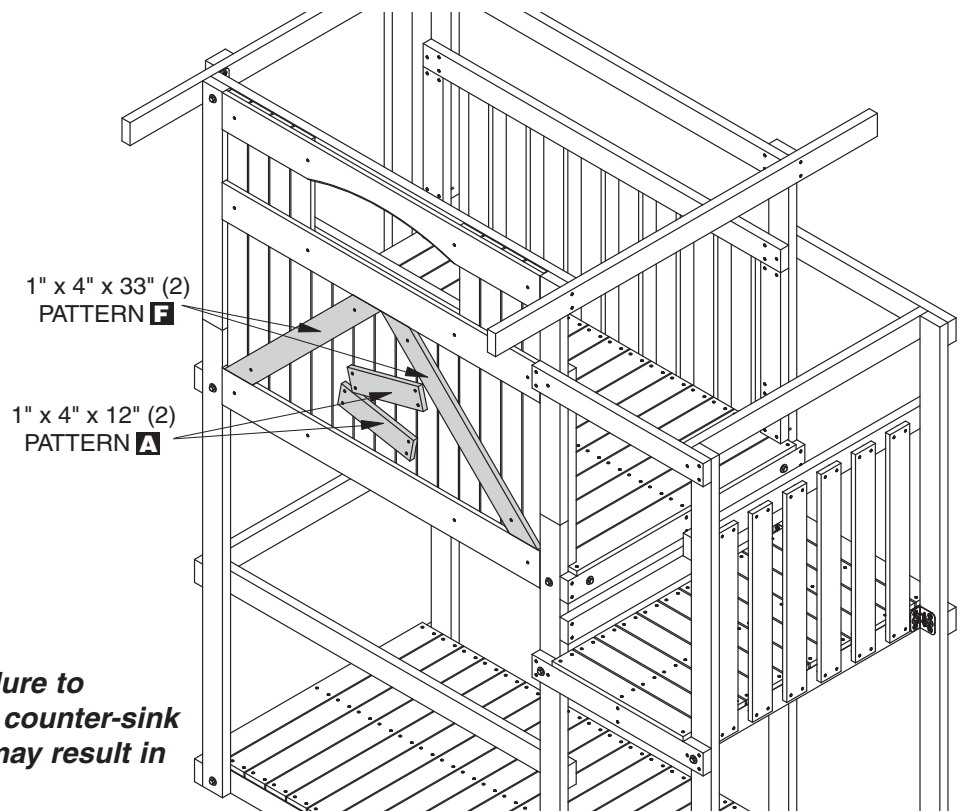
Caution: Failure to pre-drill and counter-sink the boards may result in split lumber.

Items for **STEP 21:**

- (2) 1" x 4" x 33" boards
- (2) 1" x 4" x 12" boards
- (12) #8 x 1¼" deck screws

Attach two pre-drilled and counter-sank 1" x 4" x 33" boards at angles shown. Secure with #8 x 1¼" deck screws. Do not over tighten the screws.

Attach two pre-drilled and counter-sank 1" x 4" x 12" boards at angles shown. Secure with #8 x 1¼" deck screws. Do not over tighten the screws.



SEE PAGE 5 FOR
DRILL LOCATIONS AND
HOLE PATTERNS

Caution: Failure to pre-drill and counter-sink the boards may result in split lumber.

Items for STEP 22:

- (14) 1" x 4" x 29½" boards
- (56) #8 x 1½" deck screws

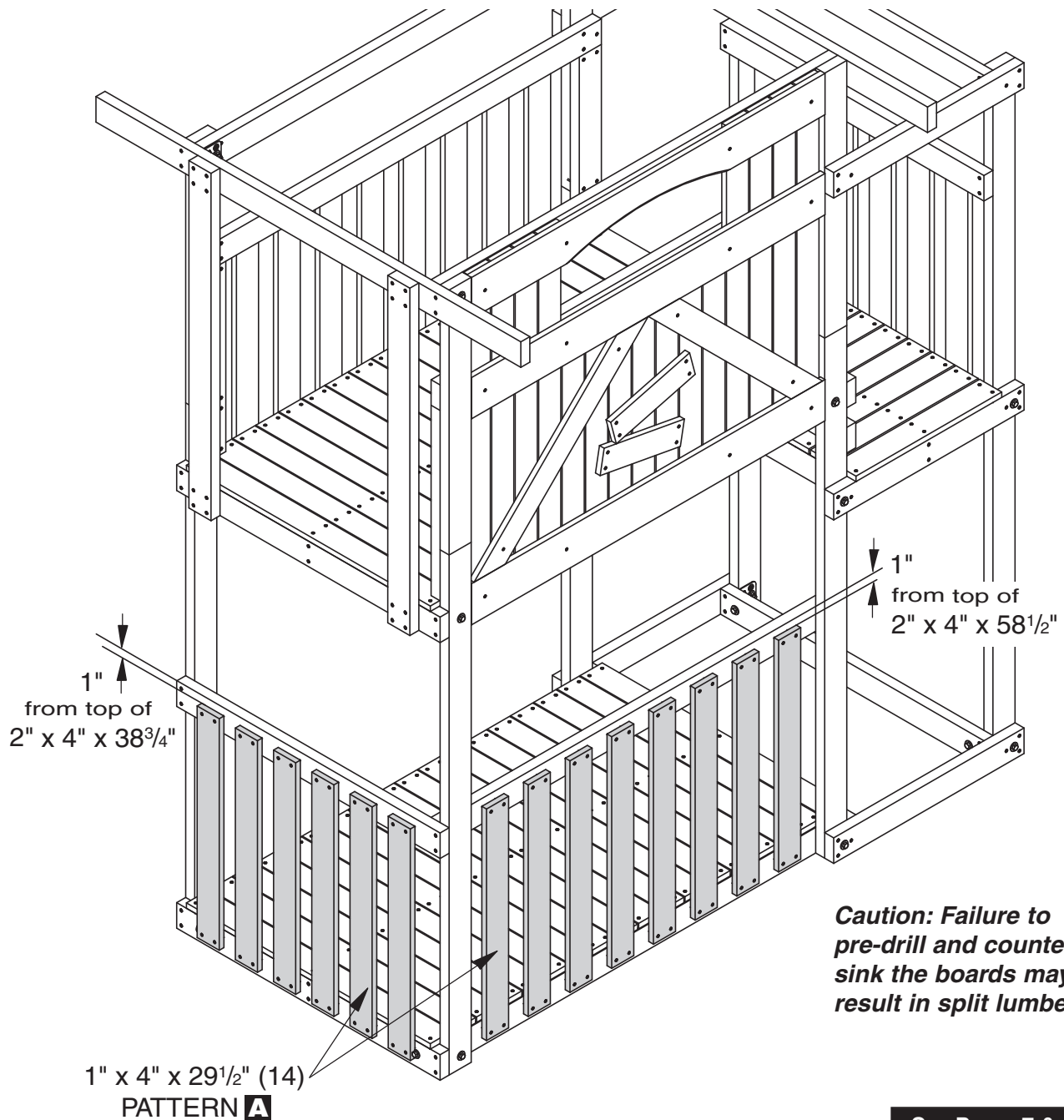
Attach fourteen pre-drilled and counter-sank 1" x 4" x 29½" boards on the **outside** of tower as shown. Equally space the boards and secure with #8 x 1½" deck screws. Do not over tighten the screws.

Note: *Gap between boards must not exceed 3½" or a head entrapment could exist.*

Helpful Hint: *If you tipped over the tower on it's side to complete the previous steps. Then you may complete first the boards on the 2" x 4" x 58½" side, Then bring the tower back to it's upright position; Caution, two adults are required to complete this task. Then complete the boards on the 2" x 4" x 38¾" side.*

Helpful Hint: *The gap between boards on the 2" x 4" x 58½" side should be approximately 2⅞".*

Helpful Hint: *The gap between boards on the 2" x 4" x 38¾" side should be approximately 2⅜".*



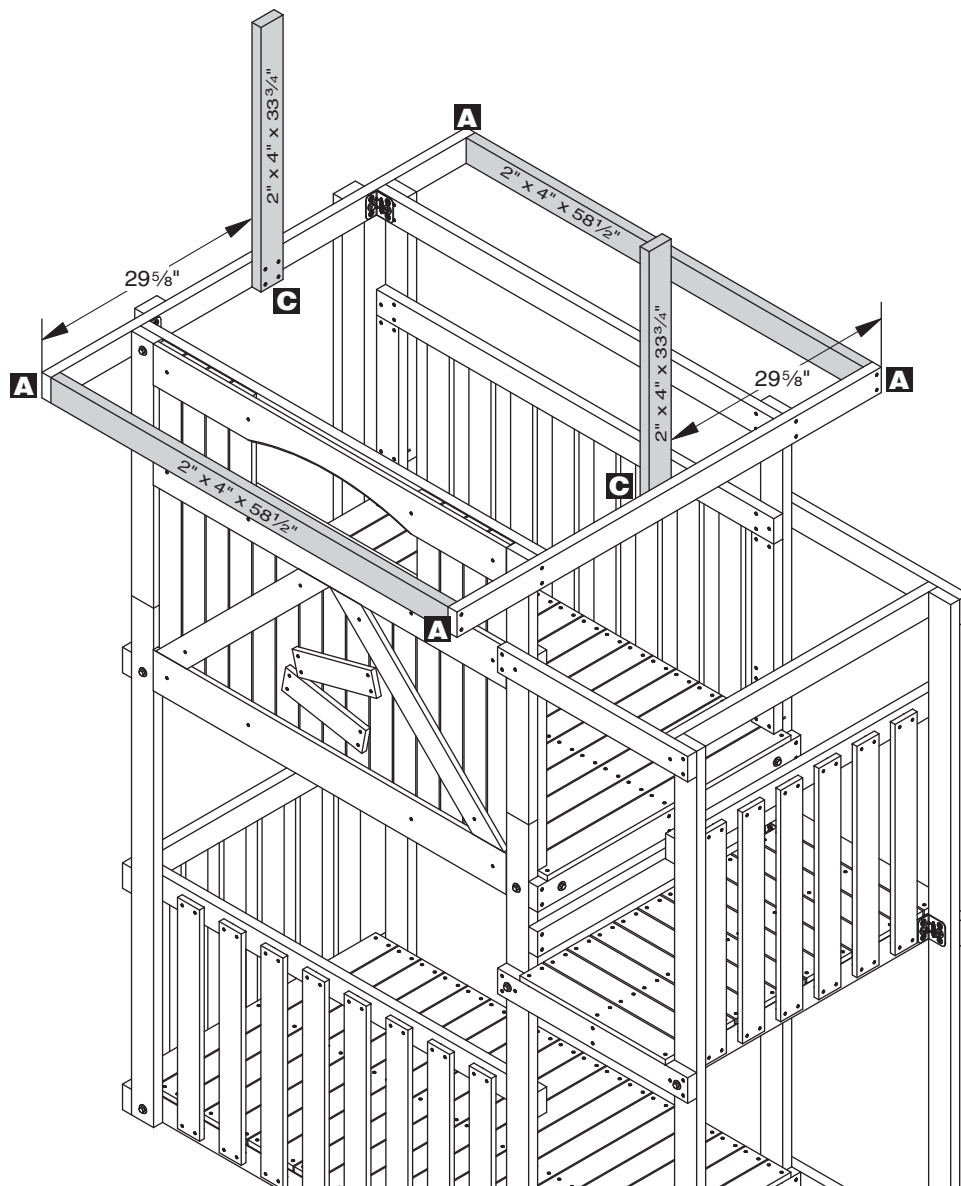
SEE PAGES 7 & 8 FOR
HOLE PATTERNS

Items for **STEP 23:**

- (2) 2" x 4" x 58½" boards
- (2) 2" x 4" x 33¾" boards
- (16) #8 x 2½" deck screws

Attach two 2" x 4" x 33¾" boards centered in the tower as shown. Secure with #8 x 2½" deck screws.

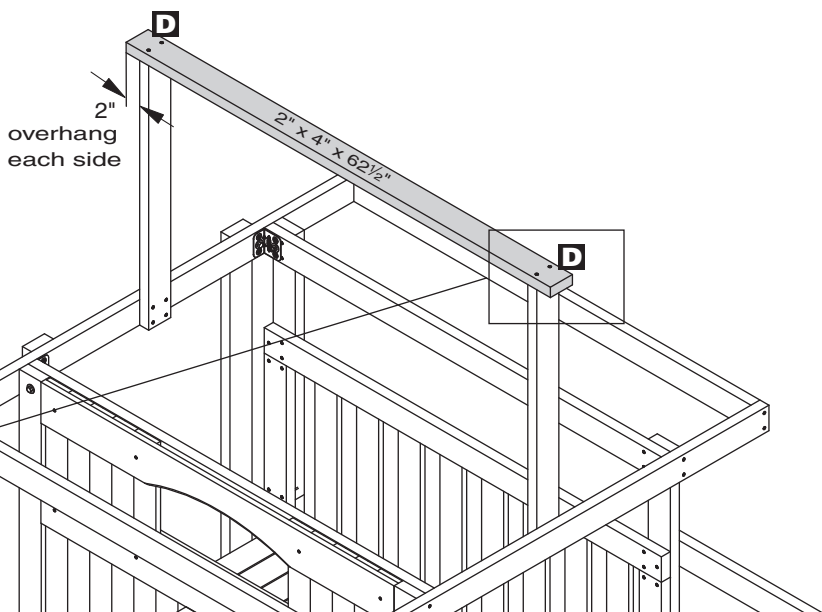
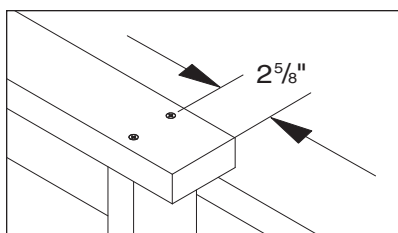
Attach two 2" x 4" x 58½" boards as shown. Secure with #8 x 2½" deck screws.



Items for **STEP 24:**

- (1) 2" x 4" x 62½" boards
- (4) #8 x 2½" deck screws

Attach the 2" x 4" x 62½" board. Overhang each side 2" as shown. Secure with #8 x 2½" deck screws.



Items for STEP 26:

- (3) Step 25 Assemblies
- (2) Left-hand Sturdy-frame Brackets
- (1) Right-hand Sturdy-frame Bracket
- (6) #8 x 1 1/4" deck screws
- (6) 3/8" x 3 1/2" hex bolts
- (12) 3/8" washers
- (6) 3/8" lock nuts

Attach two left-hand (L) and one right-hand (R) sturdy-frame brackets onto separate swing post assemblies (brackets are stamped R and L).

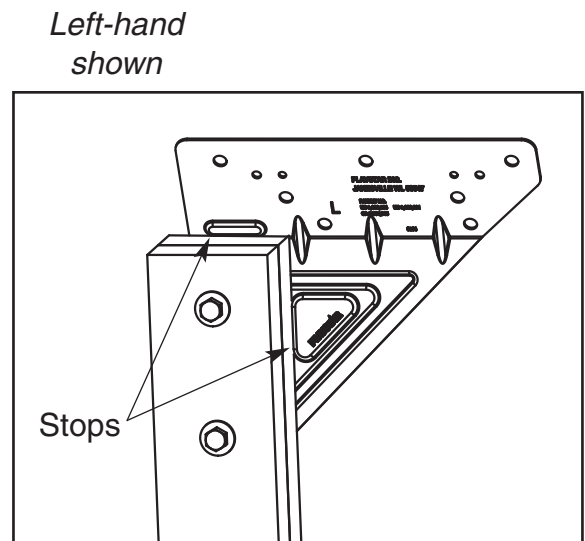
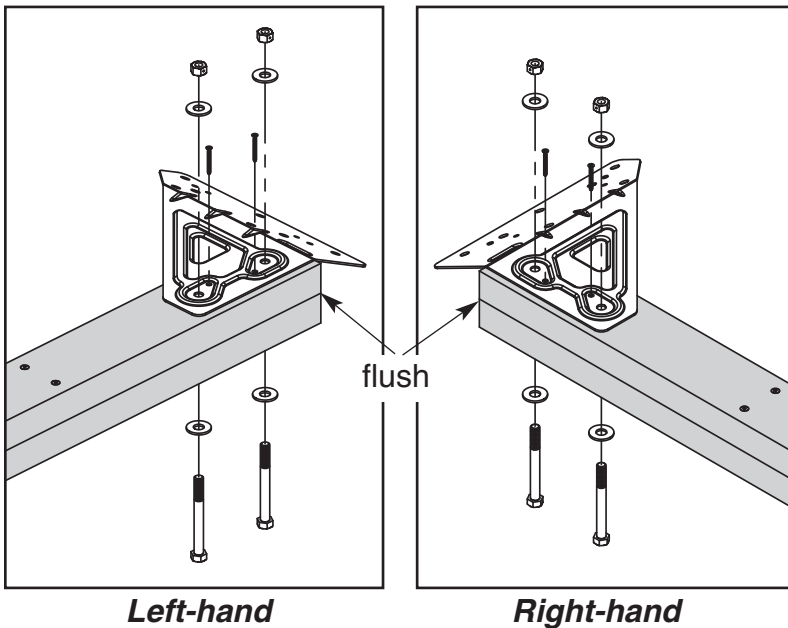
Lay bracket on the flush end of post as shown. Slide bracket over and down until it stops against the top and side of the post as shown. When correctly positioned, the edge of the sturdy-frame bracket will be parallel with the side of the post.

Use the bracket as a drill guide and drill two 1/8" holes 1" deep into the posts. Attach with two #8 x 1 1/4" deck screws.

Again, use the bracket as a drill guide and drill two 3/8" holes through the post. Secure bracket with two 3/8" x 3 1/2" hex bolts, 3/8" washers and 3/8" lock nuts.

Repeat for each post.

Caution: Make sure bolts are tight and the threads of each bolt are at least flush to the end of the nut to ensure proper engagement.



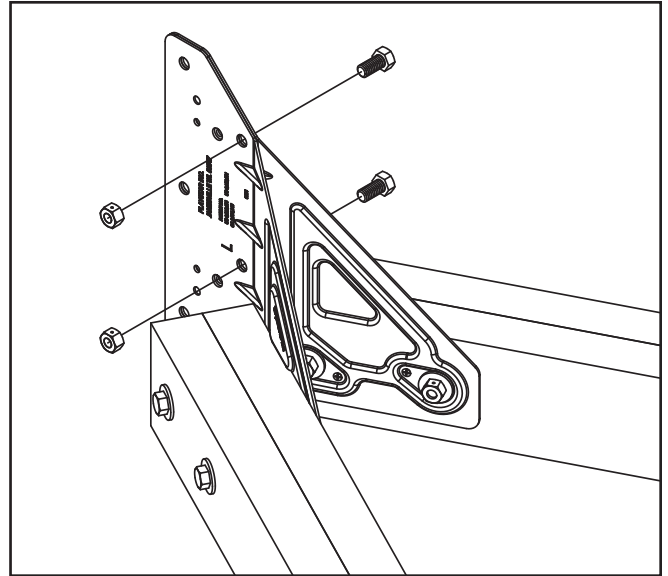
Rear View of bracket and post assembly showing correct position.

Items for STEP 27:

- (2) $\frac{3}{8}$ " x $\frac{3}{4}$ " hex bolts
- (2) $\frac{3}{8}$ " lock nuts

Mate one right-hand bracket assembly to one left-hand bracket assembly as shown.

Secure with two $\frac{3}{8}$ " x $\frac{3}{4}$ " hex bolts and $\frac{3}{8}$ " lock nuts through the two lower holes of brackets as shown (do not use flat washers).

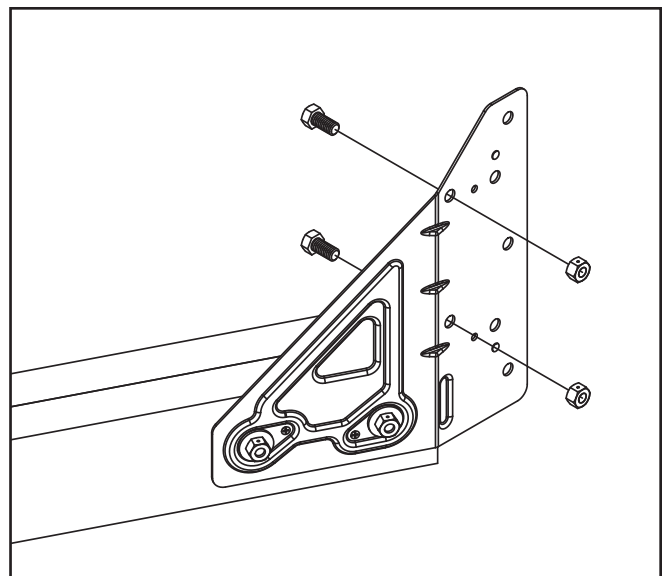


Items for STEP 28:

- (2) $\frac{3}{8}$ " x $\frac{3}{4}$ " hex bolts
- (2) $\frac{3}{8}$ " lock nuts

Place two $\frac{3}{8}$ " x $\frac{3}{4}$ " hex bolts and $\frac{3}{8}$ " lock nuts through the two lower holes of bracket on single post as shown (do not use flat washers).

Note: *These bolts are necessary to properly align the single post assembly to beam at a later step.*



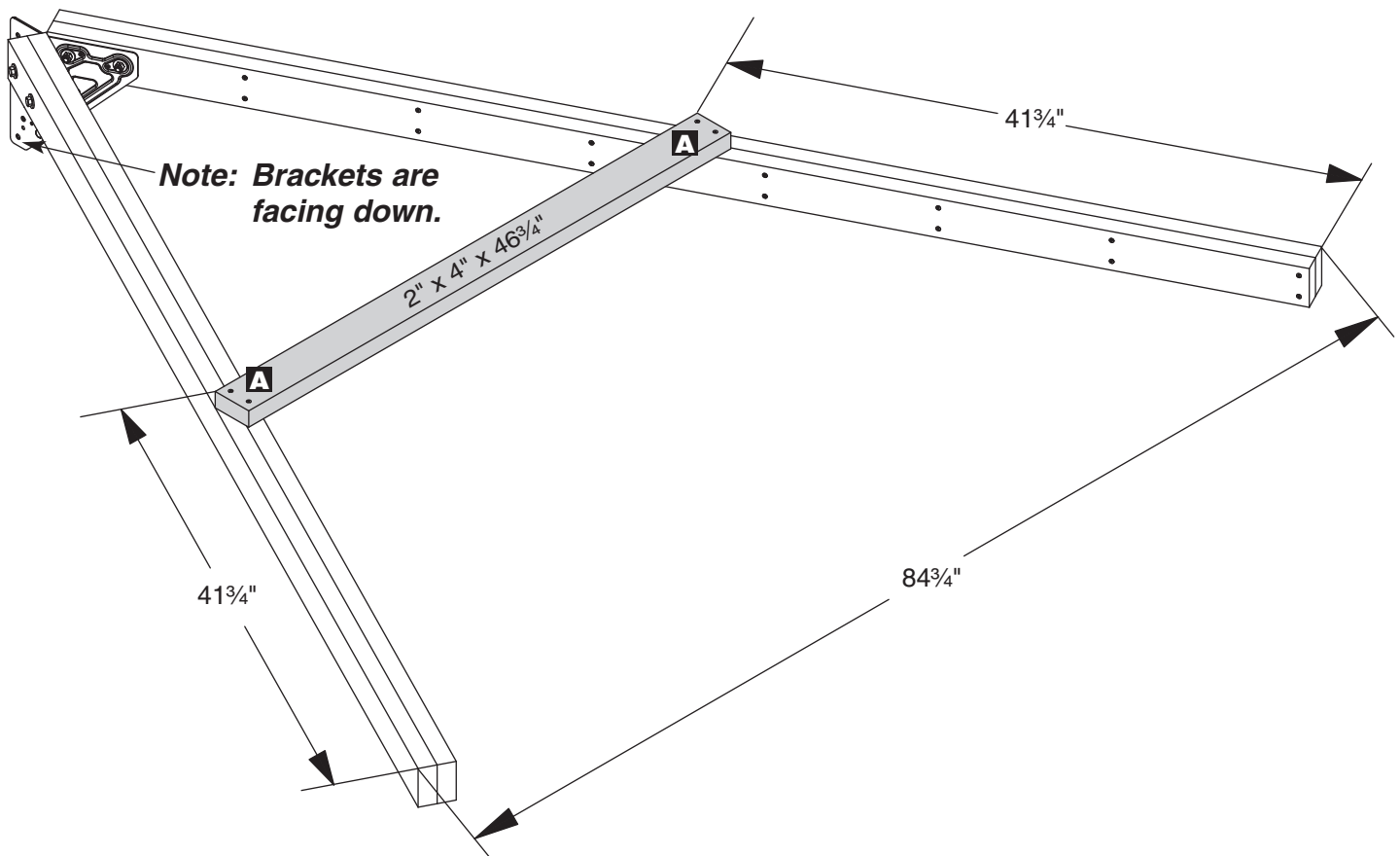
Items for STEP 29:

- (1) 2" x 4" x 46³/₄" board
- (4) #8 x 2¹/₂" deck screws

Position assembly as shown.

Align the posts so that the outermost points measure 84³/₄" as shown.

Attach 2" x 4" x 46³/₄" board at dimension shown. Secure with #8 x 2¹/₂" deck screws.



**SEE PAGES 7 & 8 FOR
HOLE PATTERNS**

Items for STEP 30:

- (2) corner brackets
- (8) #8 x 1¼" screws
- (2) ⅜" x 3½" hex bolts
- (2) ⅜" x 2" hex bolts
- (8) ⅜" washers
- (4) ⅜" lock nuts

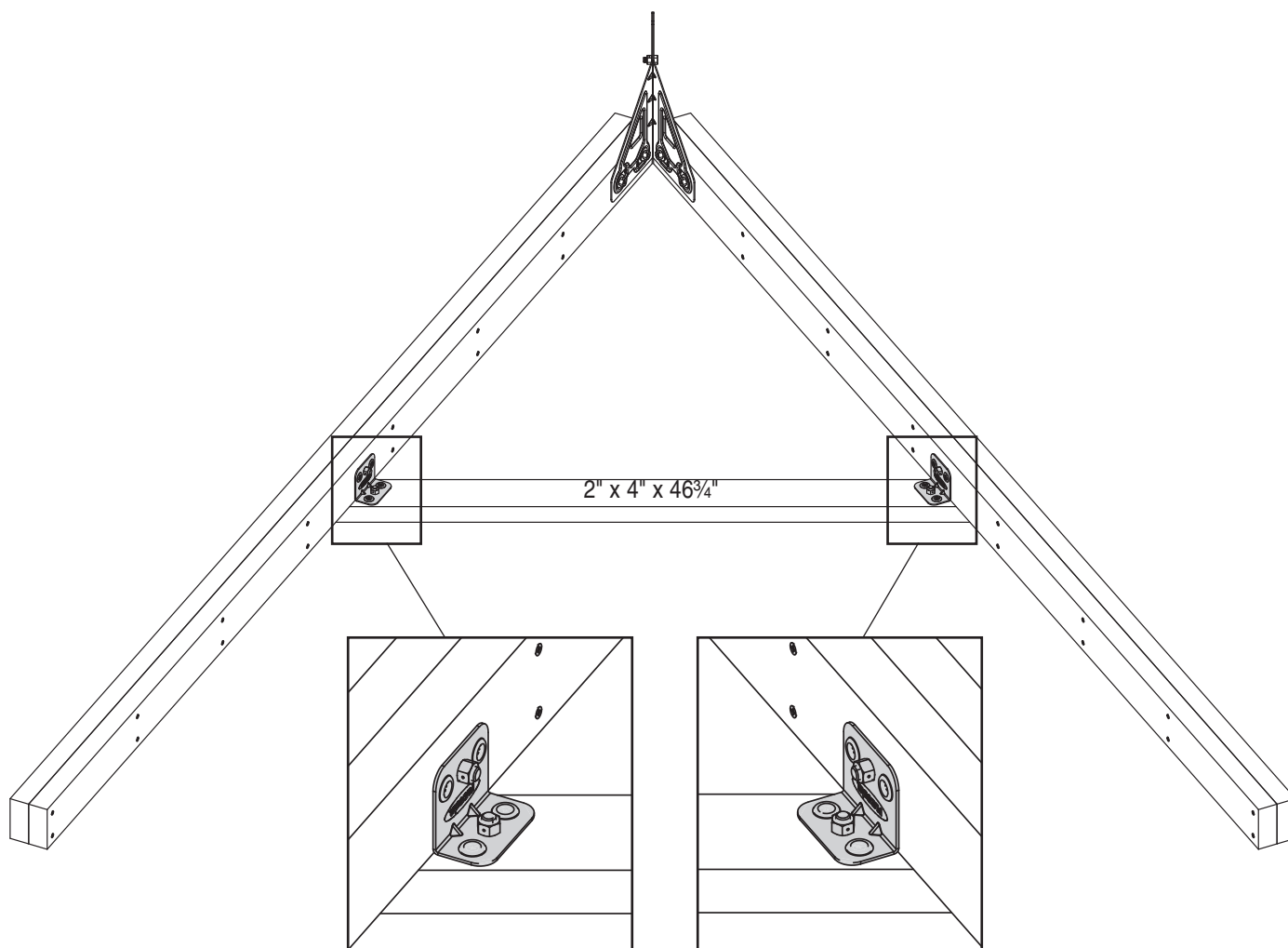
Attach corner brackets. To complete the A-Frame Assembly, flip over as shown and position brackets so that the short side is against the 2" x 4" x 46¾" board. (See page 9 for details.)

Use the bracket as a drill guide and drill ⅛" holes 1" deep into the board. Attach with #8 x 1¼" deck screws.

Again use the bracket as a drill guide and drill ⅜" holes completely through the boards. Secure with ⅜" hex bolts, ⅜" washers and ⅜" lock nuts.

NOTE: If you are bolting through one board use a ⅜" x 2" hex bolt.

If you are bolting through two boards, use a ⅜" x 3½" hex bolt.



Items for STEP 31:

- (1) 2" x 6" x 88" board
- (1) 2" x 6" x 35⁷/₈" board
- (4) #8 x 1¹/₄" deck screws

Lay out the single post assembly and the A-Frame assembly approximately 92¹/₂" apart. Use remaining unused boards to elevate approximately 3".

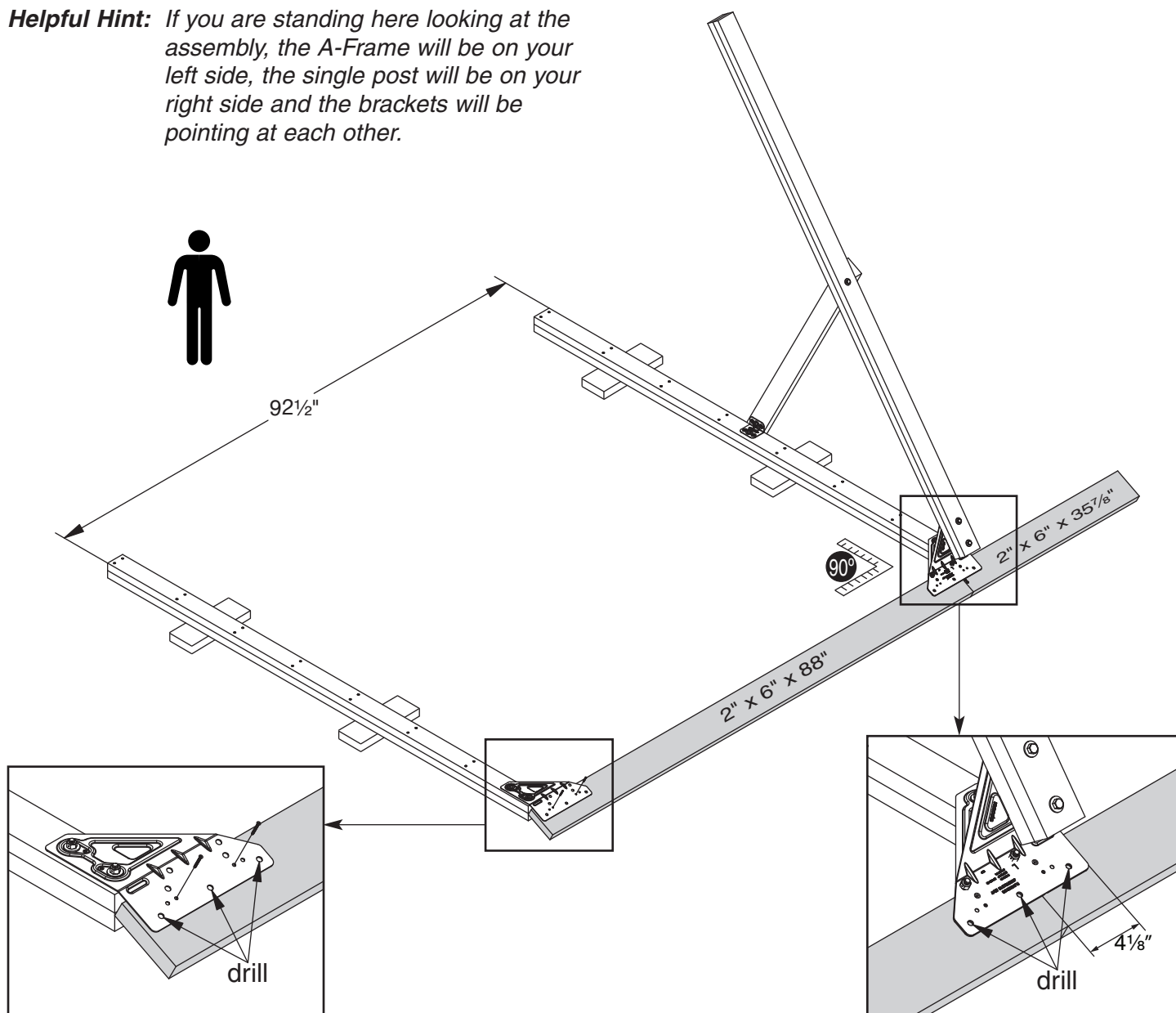
Place 2" x 6" x 88" and 2" x 6" x 35⁷/₈" beam boards under brackets as shown.

Hold beam tight against bolts installed in Step 28. Beam should rest on ³/₈" x ³/₄" hex bolts and top of post when in proper position. Be sure A-Frame is square (90°) with beam.

Use brackets as a drill guide and drill ¹/₈" holes 1" deep into the beam and attach with #8 x 1¹/₄" deck screws as shown.

Again, use brackets as a drill guide and drill ³/₈" holes completely through the beam as shown.

Helpful Hint: If you are standing here looking at the assembly, the A-Frame will be on your left side, the single post will be on your right side and the brackets will be pointing at each other.



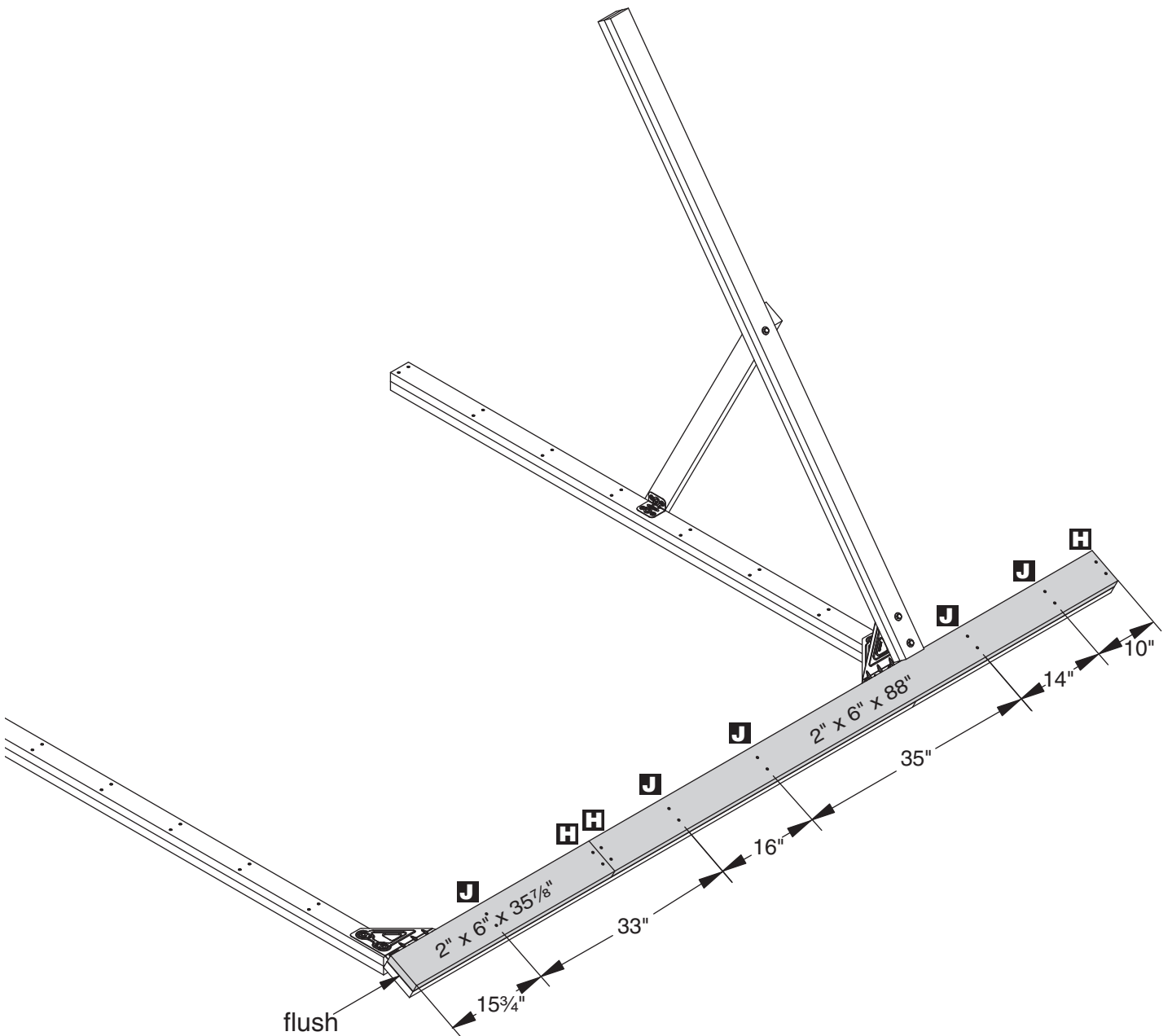
Items for STEP 32:

- (1) 2" x 6" x 88" board
- (1) 2" x 6" x 35⁷/₈" board
- (16) #8 x 2¹/₂" deck screws

Predrill the 2" x 6" x 88" and 2" x 6" x 35⁷/₈" beam boards at the dimension shown.

Attach the drilled 2" x 6" x 88" and 2" x 6" x 35⁷/₈" board on top of the existing assembly as shown. Make sure boards are flush with bottom board. Secure boards together with #8 x 2¹/₂" screws.

Note: *If your boards are a different length, flush the end with the single post.*



**SEE PAGES 7 & 8 FOR
HOLE PATTERNS**

Items for STEP 33:

- (5) $\frac{3}{8}$ " x $3\frac{1}{2}$ " hex bolts
- (10) $\frac{3}{8}$ " washers
- (5) $\frac{3}{8}$ " lock nuts

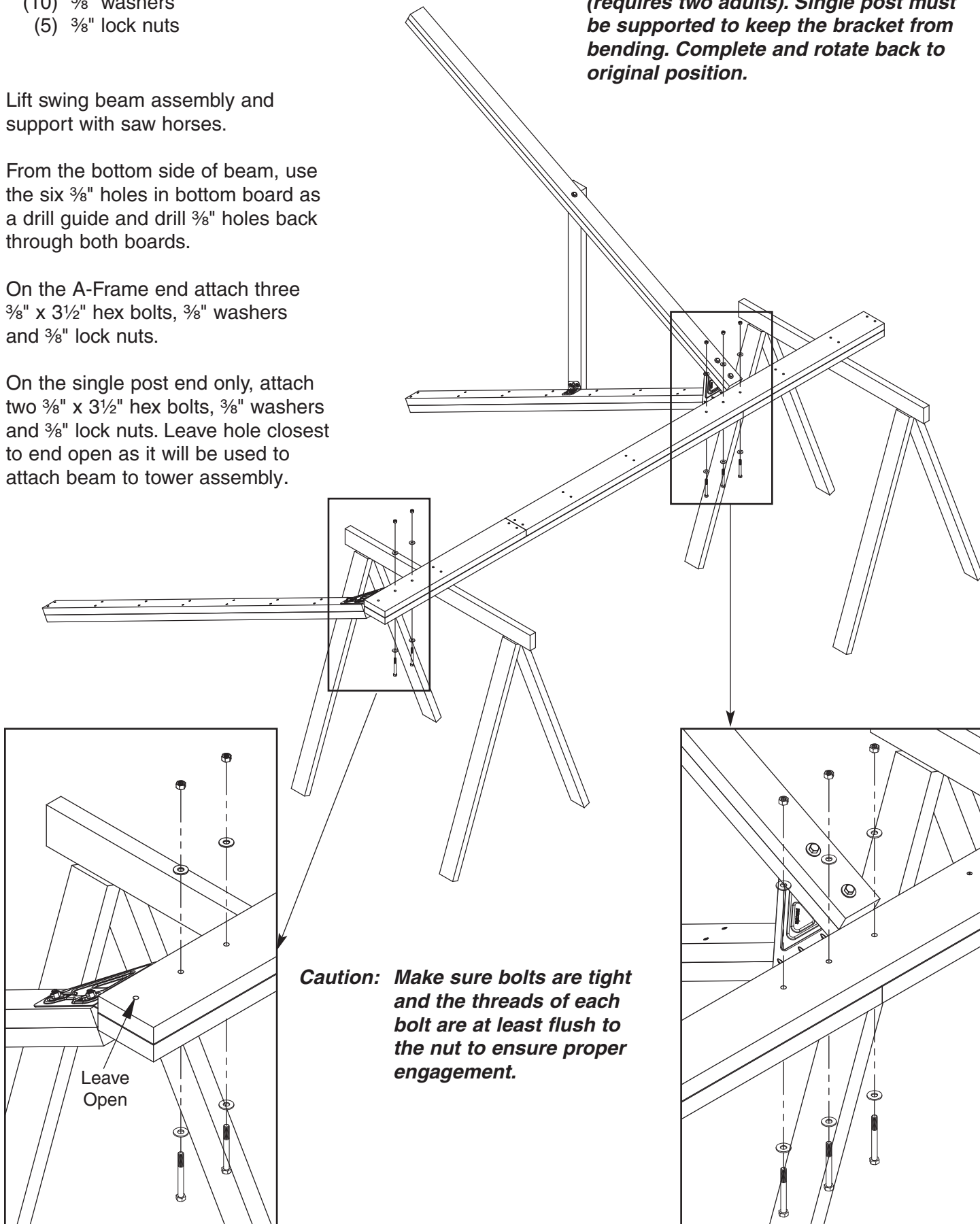
Lift swing beam assembly and support with saw horses.

From the bottom side of beam, use the six $\frac{3}{8}$ " holes in bottom board as a drill guide and drill $\frac{3}{8}$ " holes back through both boards.

On the A-Frame end attach three $\frac{3}{8}$ " x $3\frac{1}{2}$ " hex bolts, $\frac{3}{8}$ " washers and $\frac{3}{8}$ " lock nuts.

On the single post end only, attach two $\frac{3}{8}$ " x $3\frac{1}{2}$ " hex bolts, $\frac{3}{8}$ " washers and $\frac{3}{8}$ " lock nuts. Leave hole closest to end open as it will be used to attach beam to tower assembly.

Note: If you do not have saw horses, rest beam on ground and rotate A-frame and single post simultaneously to the other side (requires two adults). Single post must be supported to keep the bracket from bending. Complete and rotate back to original position.



Items for STEP 34:

- (6) swing hangers
- (6) $\frac{3}{8}$ " x 3" lag screws
- (6) $\frac{3}{8}$ " washers

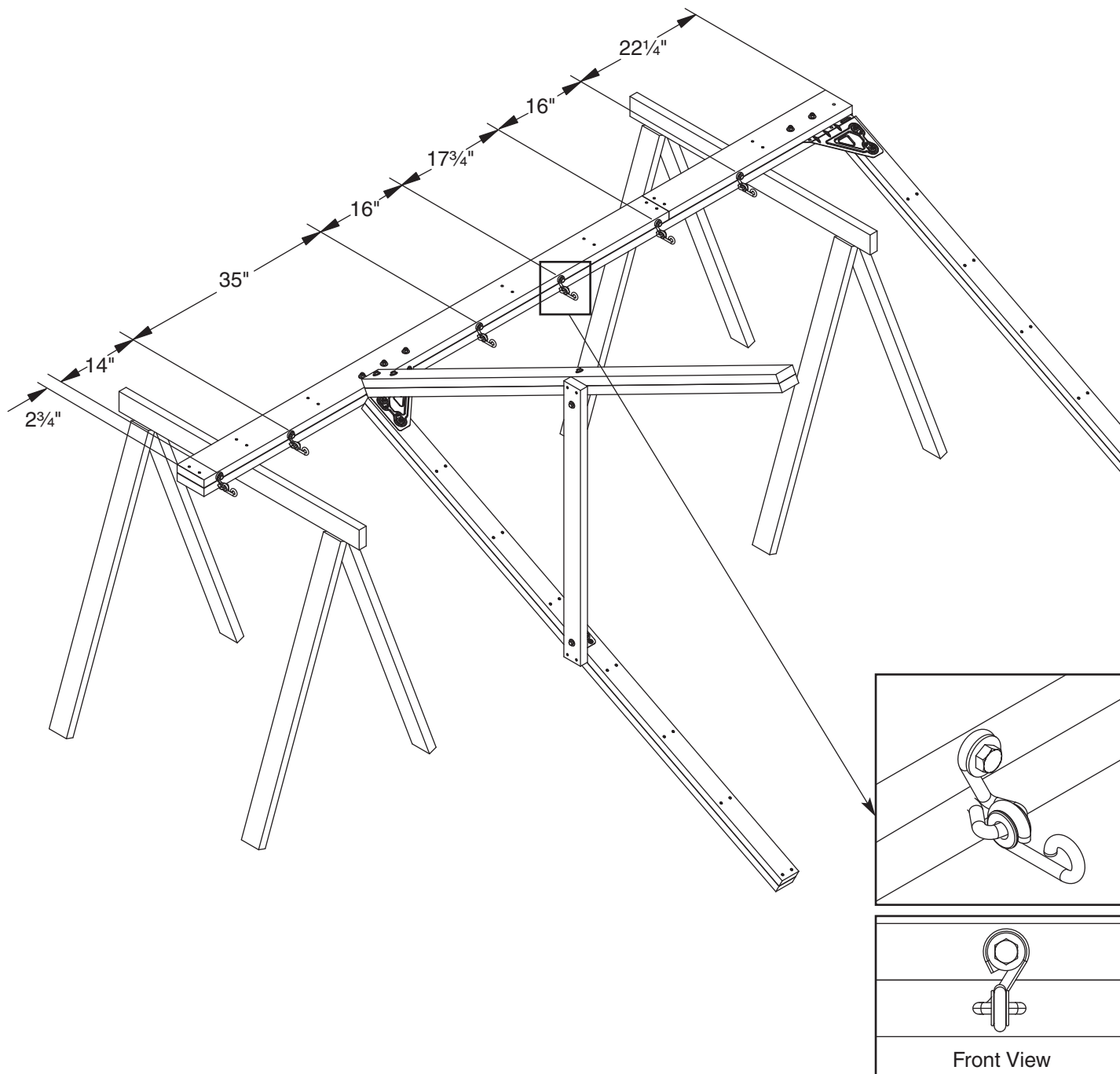
Mark the top beam board, on the bottom edge, at the dimensions shown, for swing hanger locations.

NOTE: If you are installing the Bronco Rider, follow the installation instructions that are supplied with the Bronco Rider.

Drill a $\frac{1}{4}$ " hole $2\frac{1}{2}$ " deep in the center of the bottom board at each swing hanger location.

Screw swing hangers into beam by hand (a long screwdriver will help). Tighten swing hanger until loop is tight against adjoining board and swing hanger is positioned as shown.

Drill another $\frac{1}{4}$ " hole $2\frac{1}{2}$ " deep in adjoining board through swing hanger loop and secure each swing hanger with one $\frac{3}{8}$ " x 3" lag screw and $\frac{3}{8}$ " washer.



CONNECT TOWER AND SWING BEAM

Items for **STEP 35:**

- (1) $\frac{3}{8}$ " x $4\frac{1}{2}$ " hex bolt
- (2) $\frac{3}{8}$ " washers
- (1) $\frac{3}{8}$ " lock nut

On the post of tower assembly where the beam will be attached, measure and mark hole location (7" down and $1\frac{5}{8}$ " from edge) as shown. **(Fig. 1)**

Drill a $\frac{3}{8}$ " hole completely through the board.

On the open hole of the beam assembly use a $1\frac{1}{8}$ " spade bit and counterbore approximately $\frac{1}{4}$ " deep to ensure that the threads of the bolt are at least flush to the end of the nut when installed. **(Fig. 2)**

Lift beam to an upright position and attach to tower using one $\frac{3}{8}$ " x $4\frac{1}{2}$ " hex bolt, $\frac{3}{8}$ " washers and $\frac{3}{8}$ " lock nut as shown. **(Fig. 2)**

Fig. 1

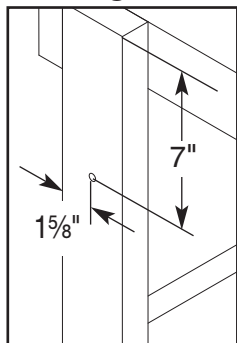
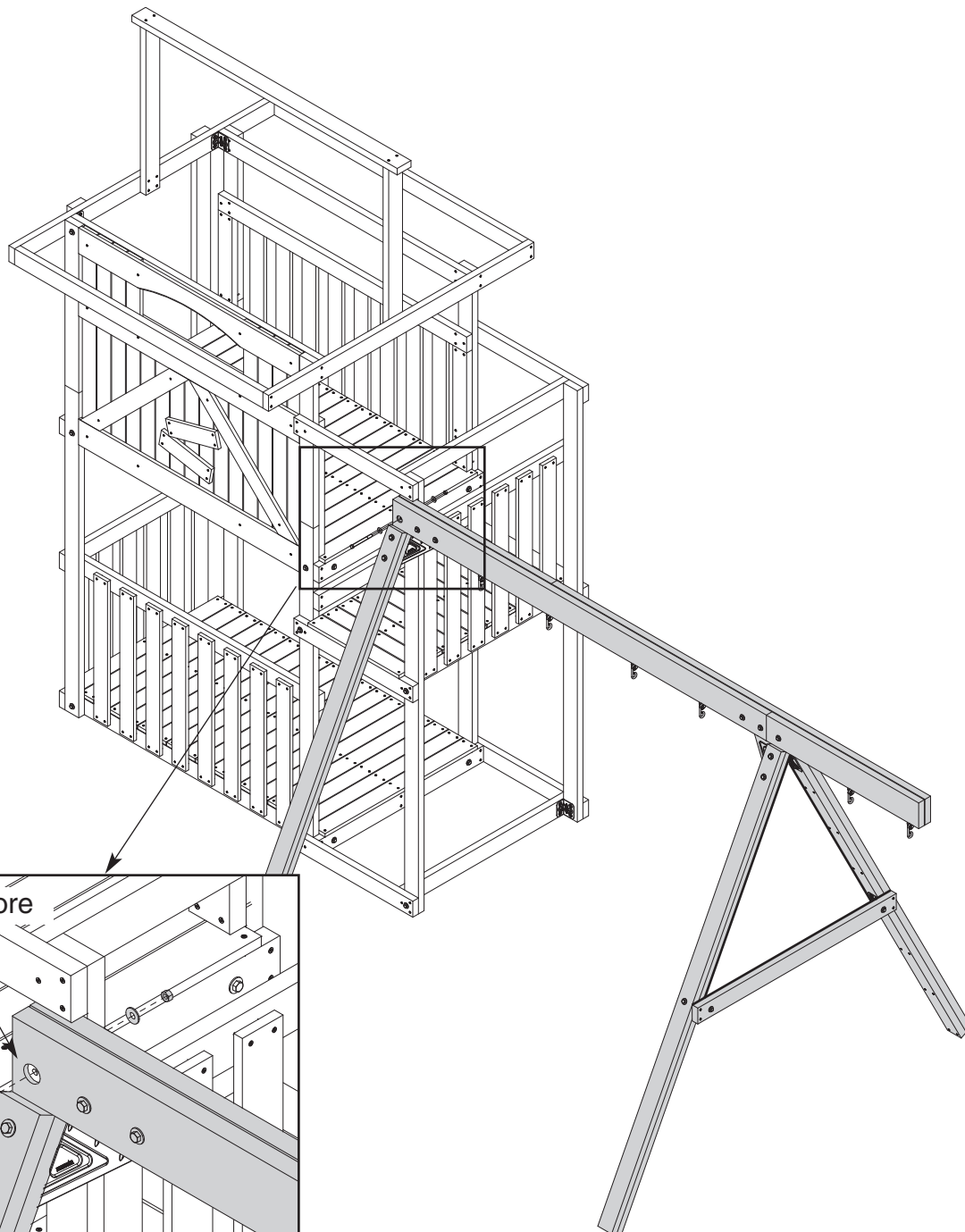
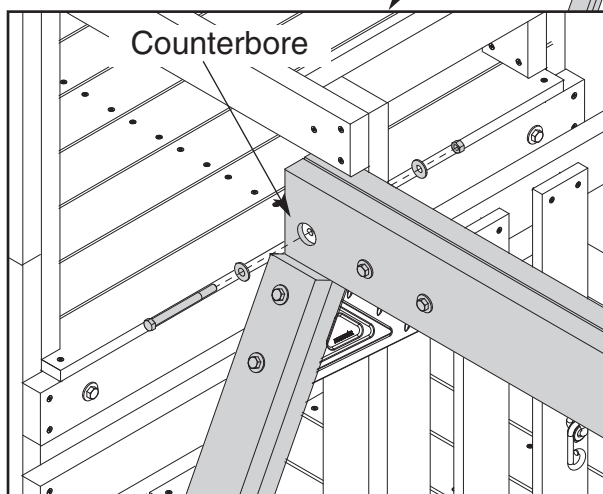


Fig. 2



Items for STEP 36:

- (1) 2" x 4" x 28" board
- (2) corner brackets
- (4) #8 x 2½" deck screws
- (8) #8 x 1¼" deck screws
- (1) ⅜" x 3½" hex bolt
- (3) ⅜" x 2" hex bolts
- (8) ⅜" washers
- (4) ⅜" lock nuts

Position 2" x 4" x 28" board 34¾" up from bottom of tower flush with the tower and swing beam posts as shown. Attach with #8 x 2½" deck screws.

Attach corner brackets. Position brackets so that the short sides are against the 2" x 4" x 28" board. (See Page 9 for details.)

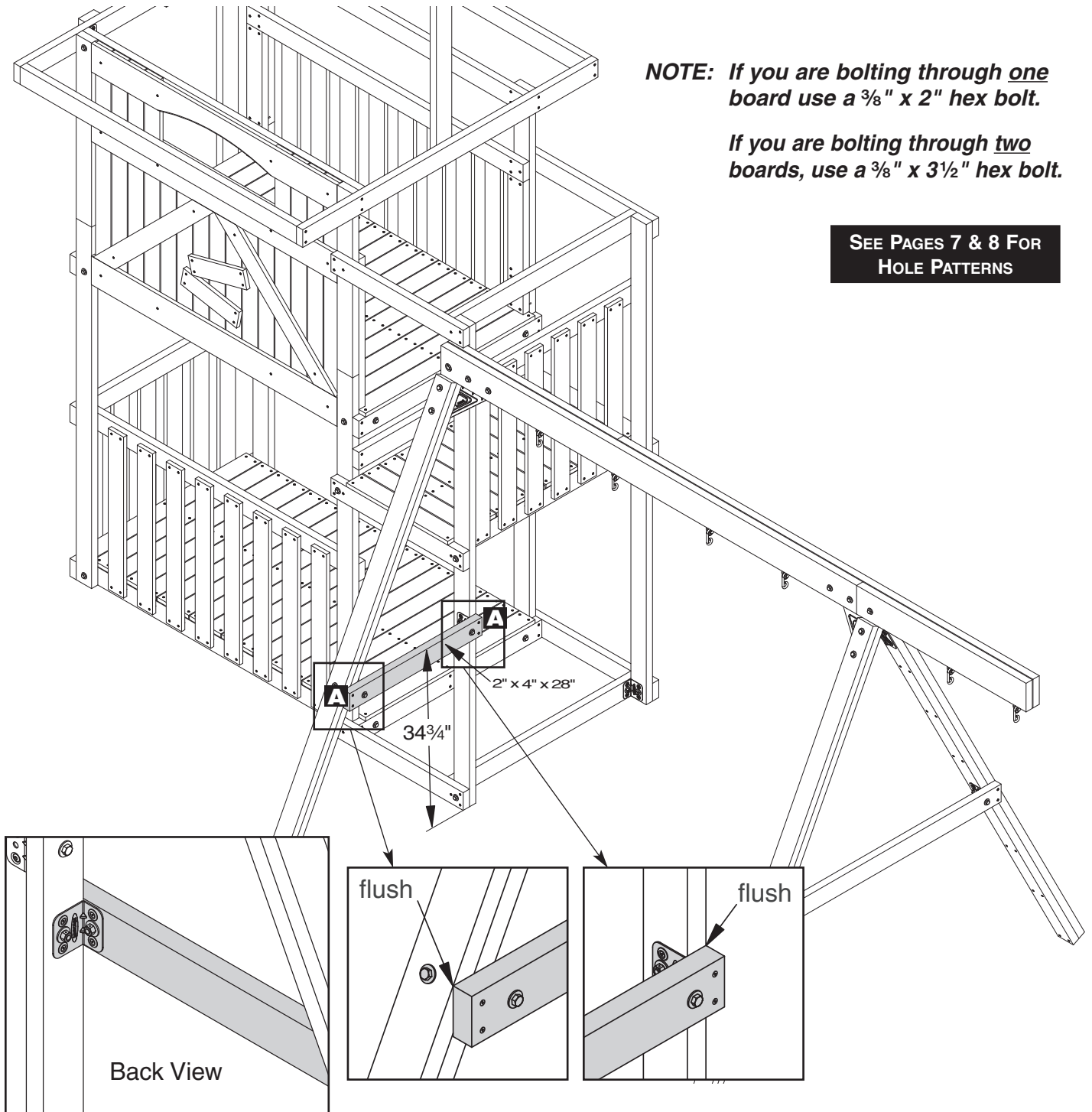
Use the bracket as a drill guide and drill ⅛" holes 1" deep into the board. Attach with #8 x 1¼" deck screws.

Again use the bracket as a drill guide and drill ⅜" holes completely through the boards. Secure with ⅜" hex bolts, ⅜" washers and ⅜" lock nuts.

NOTE: *If you are bolting through one board use a ⅜" x 2" hex bolt.*

If you are bolting through two boards, use a ⅜" x 3½" hex bolt.

SEE PAGES 7 & 8 FOR HOLE PATTERNS





If you purchased the optional Adventure Tunnel Kit (PS 8876) it must be installed now. Follow the building instructions included with the Adventure Tunnel Kit. Then continue with these Instructions on page 38.

If you are not installing the Tunnel Kit, proceed with the instructions below.

Items for STEP 37:

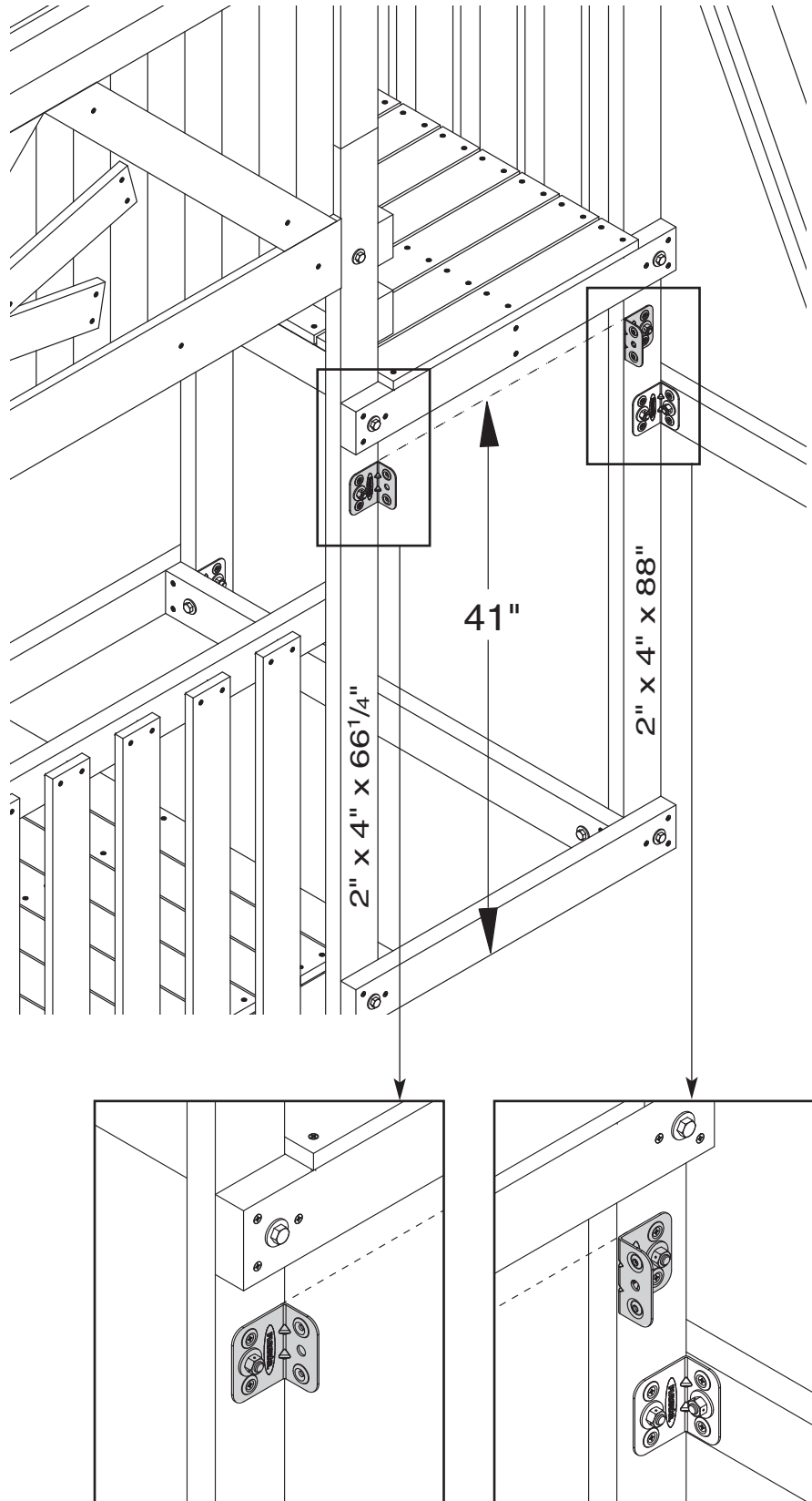
- (2) Corner Brackets
- (4) #8 x 1 $\frac{1}{4}$ " deck screws
- (2) $\frac{3}{8}$ " x 2" hex bolts
- (4) $\frac{3}{8}$ " washers
- (2) $\frac{3}{8}$ " lock nuts

Attach corner brackets.

Position two brackets 41" up from bottom of tower with the **long** side of the brackets against the 2" x 4" x 88" & 2" x 4" x 66 $\frac{1}{4}$ " boards and the **short** side flush with the inside edges as shown.

Use brackets as a drill guide and drill $\frac{1}{8}$ " holes 1" deep into the boards. Attach with #8 x 1 $\frac{1}{4}$ " deck screws.

Again use the brackets as a drill guide and drill $\frac{3}{8}$ " holes completely through the boards. Secure with $\frac{3}{8}$ " x 2" hex bolts, $\frac{3}{8}$ " washers, and $\frac{3}{8}$ " lock nuts.



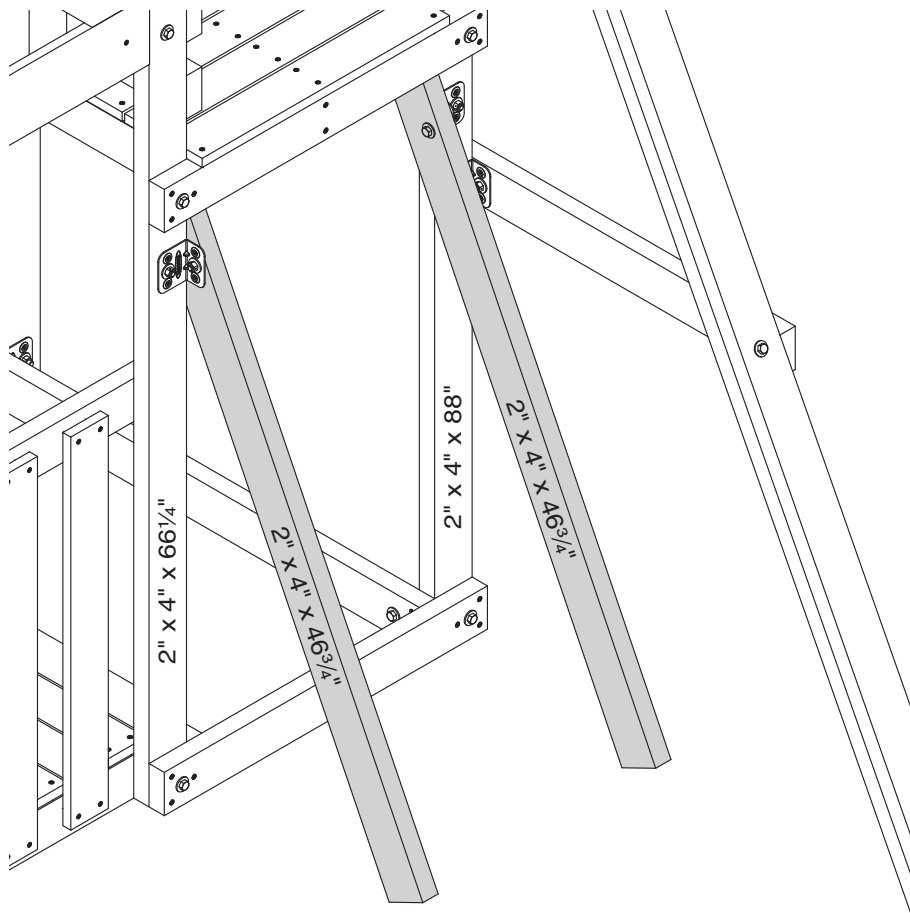
Items for **STEP 38:**

- (2) 2" x 4" x 46³/₄" boards
- (4) #8 x 1¹/₄" deck screws
- (2) ³/₈" x 2" hex bolts
- (4) ³/₈" washers
- (2) ³/₈" lock nuts

Attach two 2" x 4" x 46³/₄" boards to corner brackets as shown. Bottom corner of board must rest on the ground and the top corner of board must be flush with the front of the 2" x 4" x 88" & 2" x 4" x 66¹/₄" boards.

Use the brackets as a drill guide and drill ¹/₈" holes 1" deep into the boards. Attach with #8 x 1¹/₄" deck screws.

Again use the brackets as a drill guide and drill ³/₈" holes completely through the board. Secure with ³/₈" x 2" hex bolts, ³/₈" washers and ³/₈" lock nuts.



Items for **STEP 39:**

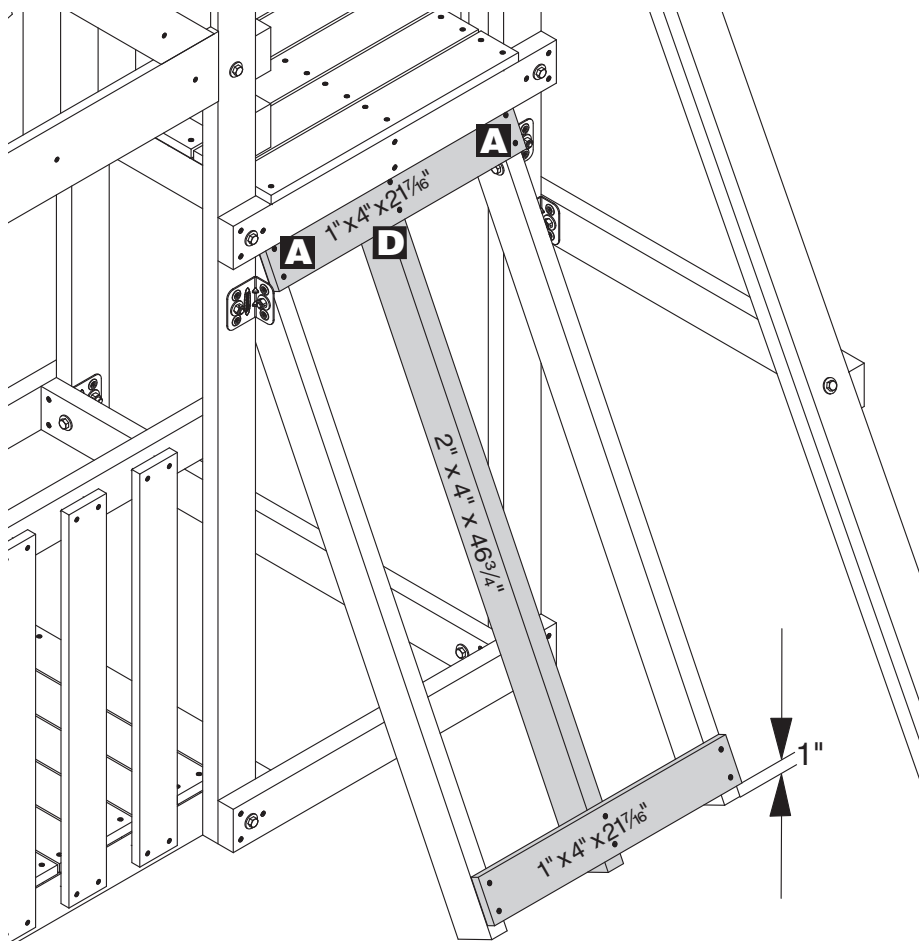
- (1) 2" x 4" x 46³/₄" board
- (2) 1" x 4" x 21⁷/₁₆" boards
- (12) #8 x 1¹/₂" deck screws

Attach two predrilled and counter-sink 1" x 4" x 21⁷/₁₆" boards as shown. Secure each board with #8 x 1¹/₂" deck screws. Do not over tighten the screws.

Center the 2" x 4" x 46³/₄" board behind and flush with the top board as shown. Secure with #8 x 1¹/₂" deck screws.

Center the 2" x 4" x 46³/₄" board behind bottom board as shown. Secure with #8 x 1¹/₂" deck screws.

Caution: Failure to pre-drill and counter-sink the boards may result in split lumber.



SEE PAGES 7 & 8 FOR
HOLE PATTERNS

Items for **STEP 40:**

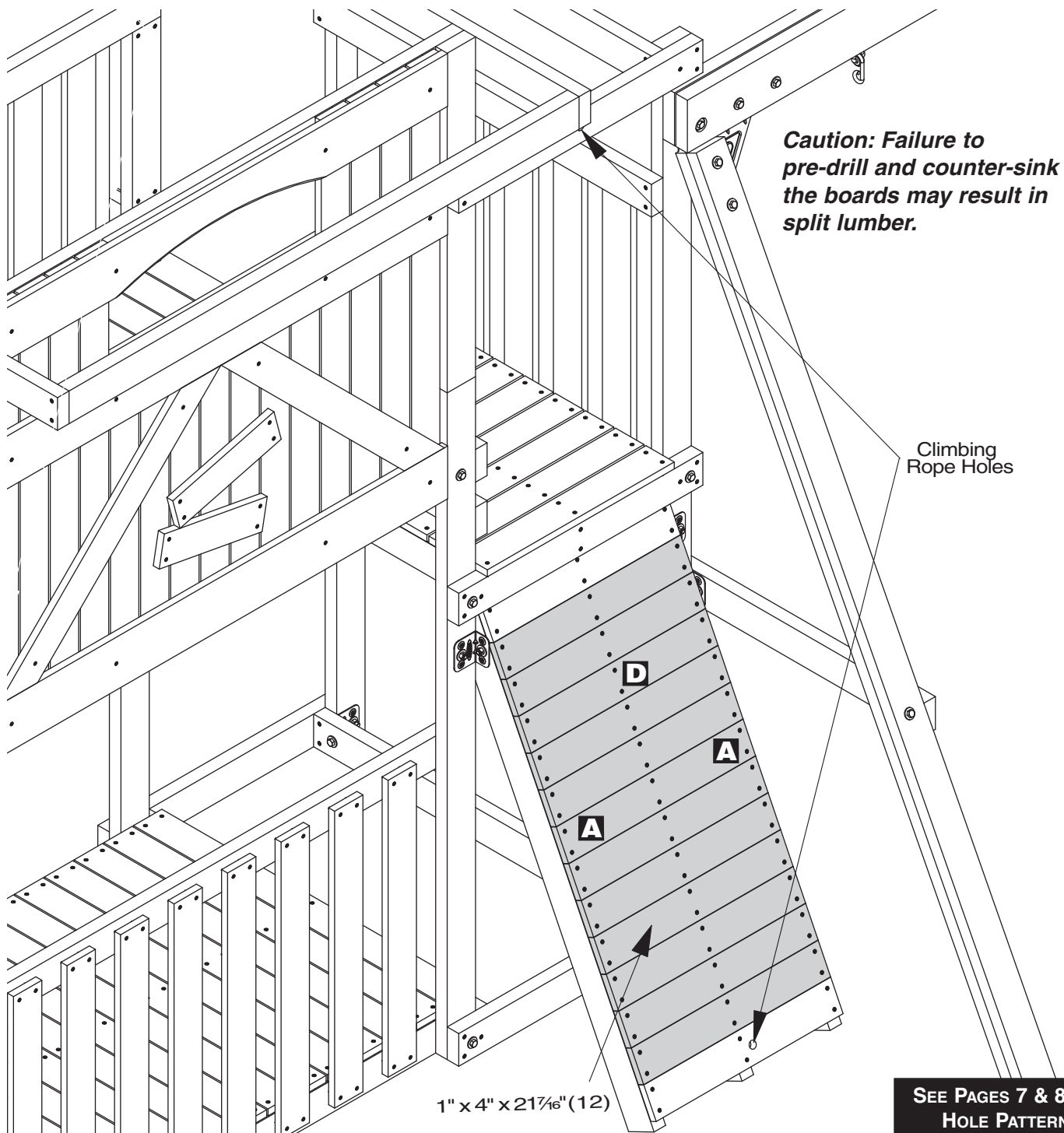
- (12) 1" x 4" x 21⁷/₁₆" boards
- (72) #8 x 1¹/₂" deck screws

Attach twelve 1" x 4" x 21⁷/₁₆" predrilled and counter-sunk boards in between the two boards you attached in the previous step. Start at the top and keep boards tight to each other. Secure with #8 x 1¹/₂" deck screws. Do not over tighten the screws.

Note: *If the last board doesn't fit or if there is a gap because of the boards being too big or too small, remove the bottom board and adjust.*

Hole placement for Climbing Rope:

Drill a ³/₄" hole in center of boards shown. Install rope per instructions on Page 50.



CLIMBING BAR ASSEMBLY

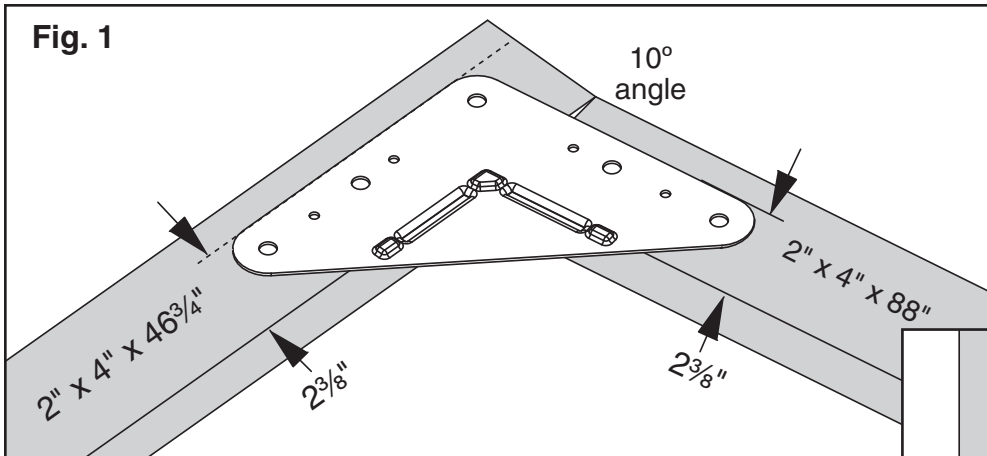
Items for **STEP 41:**

- (1) 2" x 4" x 88" board
- (1) 2" x 4" x 46 $\frac{3}{4}$ " board
- (1) triangle bracket
- (4) #8 x 1 $\frac{1}{4}$ " deck screws

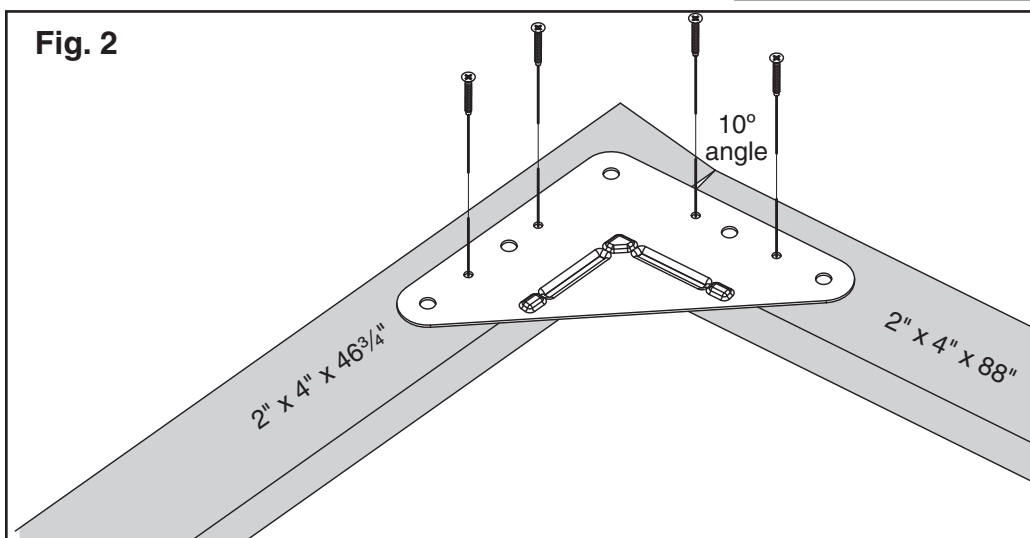
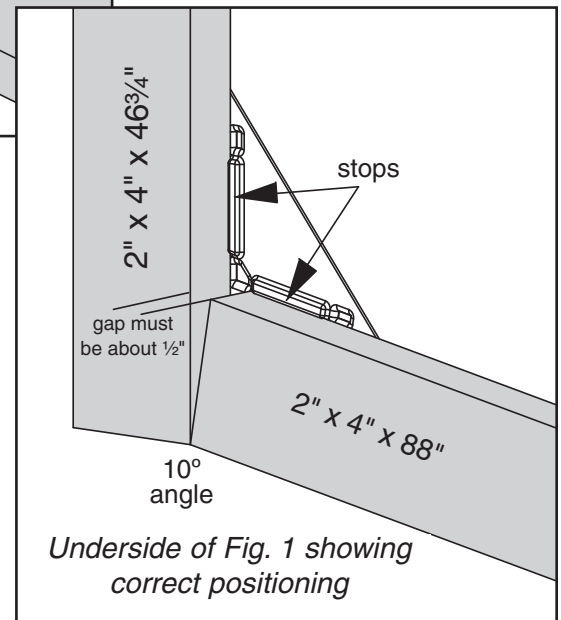
On a flat work surface, lay out the 2" x 4" x 88" and 2" x 4" x 46 $\frac{3}{4}$ " boards as shown.

Lay bracket flat on the board. Slide bracket until the stops on the underside are tight against the boards as shown. **(Fig. 1)**

Use the bracket as a drill guide and drill four $\frac{1}{8}$ " holes 1" deep into the board. Attach with #8 x 1 $\frac{1}{4}$ " deck screws. **(Fig. 2)**



Helpful Hint: Mark the two boards at the dimensions shown. This could help to better locate the boards at the correct angle.



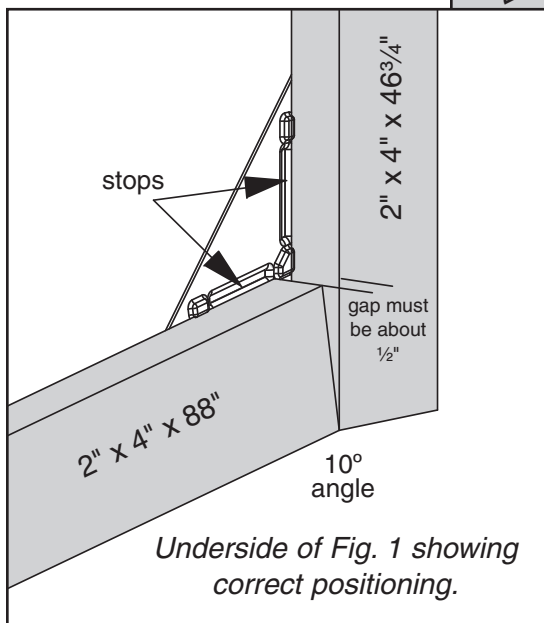
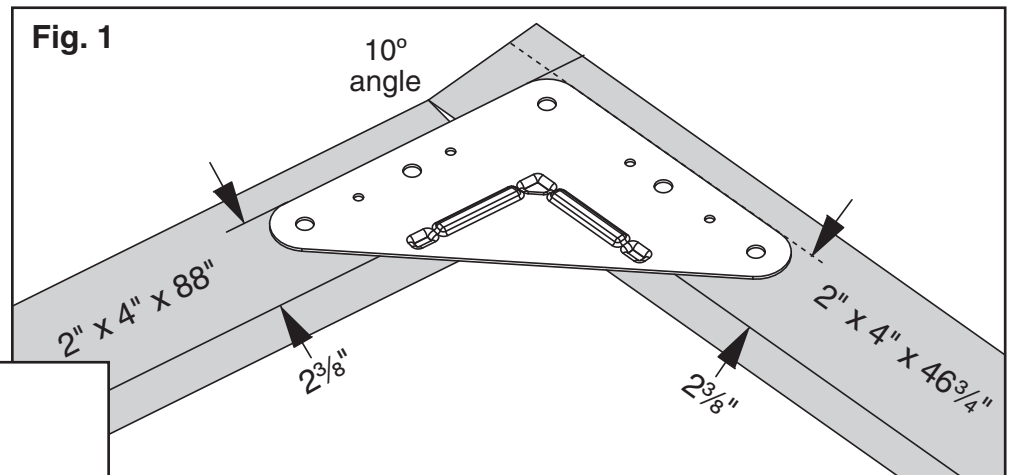
Items for STEP 42:

- (1) 2" x 4" x 88" board
- (1) 2" x 4" x 46³/₄" board
- (1) triangle bracket
- (4) #8 x 1¹/₄" deck screws

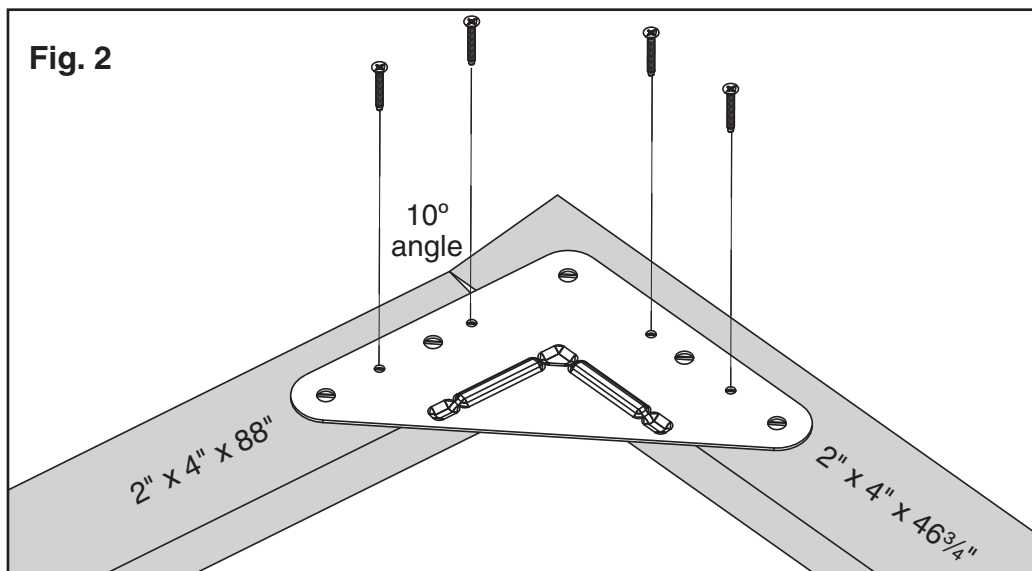
On a flat work surface, lay out the 2" x 4" x 88" and 2" x 4" x 46³/₄" boards as shown.

Lay bracket flat on the board. Slide bracket until the stops on the underside are tight against the boards as shown. **(Fig. 1)**

Use the bracket as a drill guide and drill four 1/8" holes 1" deep into the board. Attach with #8 x 1¹/₄" deck screws. **(Fig. 2)**



Helpful Hint: Mark the two boards at the dimensions shown. This could help to better locate the boards at the correct angle.



Items for STEP 43:

Turn Climbing Bar Assembly over.

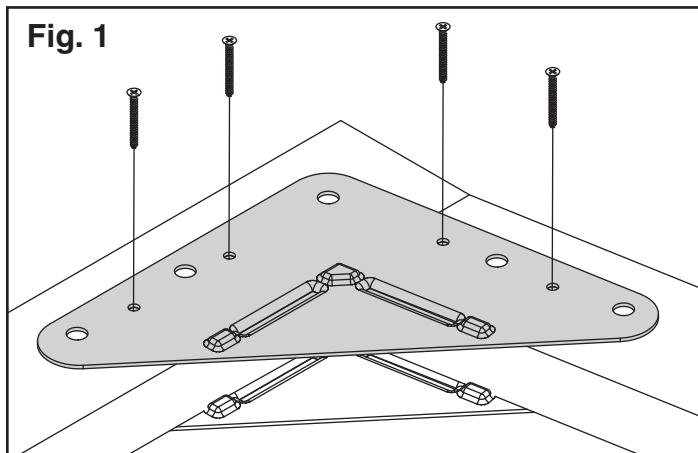
- (2) Climbing Bar Assemblies
- (2) Triangle Brackets
- (8) #8 x 1 1/4" deck screws
- (10) 3/8" x 2" hex bolts
- (10) 3/8" lock nuts

Lay bracket flat on the board. Slide bracket until the stops on the underside are tight against the boards as in previous step.

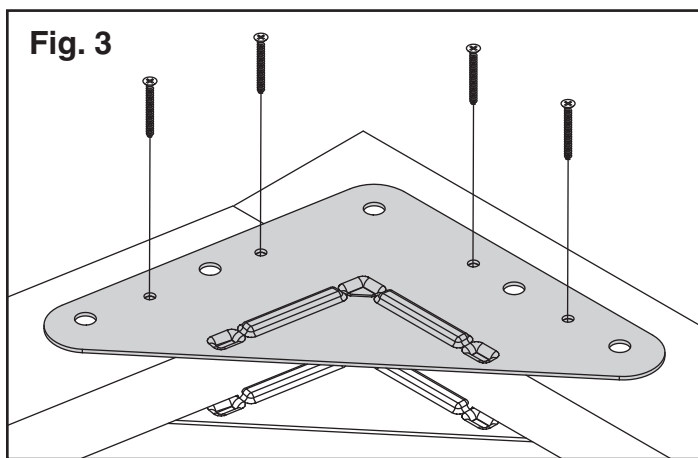
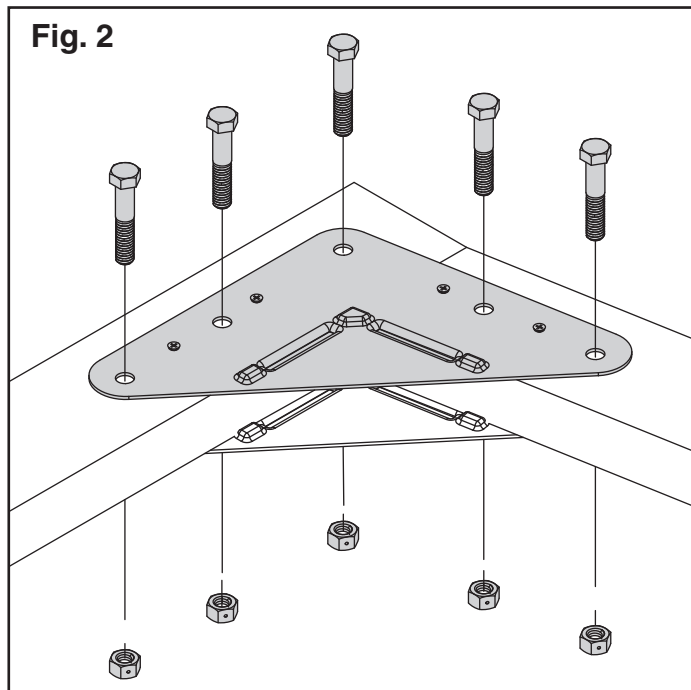
Use the bracket as a drill guide and drill four 1/8" holes 1" deep into the boards. Attach with #8 x 1 1/4" deck screws. **(Fig. 1)**

Use the bracket as a drill guide and drill five 3/8" holes completely through the board. Attach with 3/8" x 2" hex bolts and 3/8" lock nuts. **(Fig. 2)**

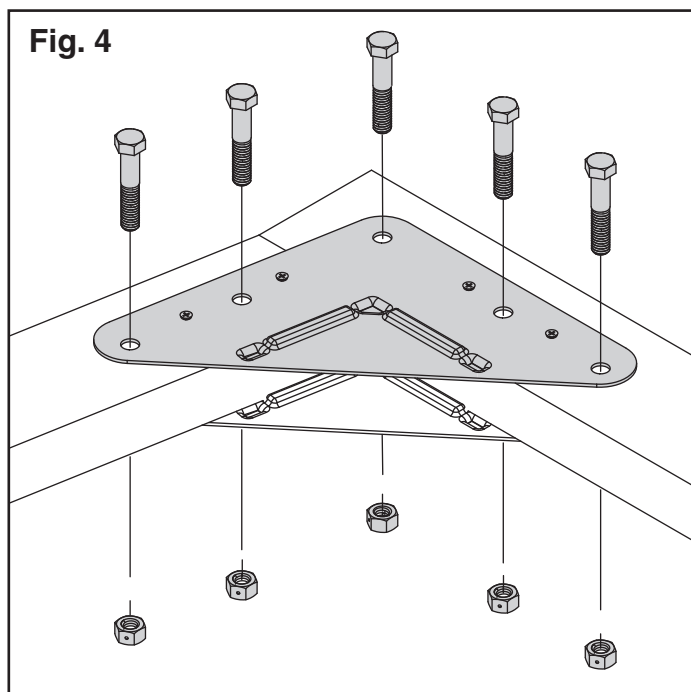
Repeat for second Climbing Bar Assembly. **(Figs. 3 & 4)**



Right Assembly



Left Assembly



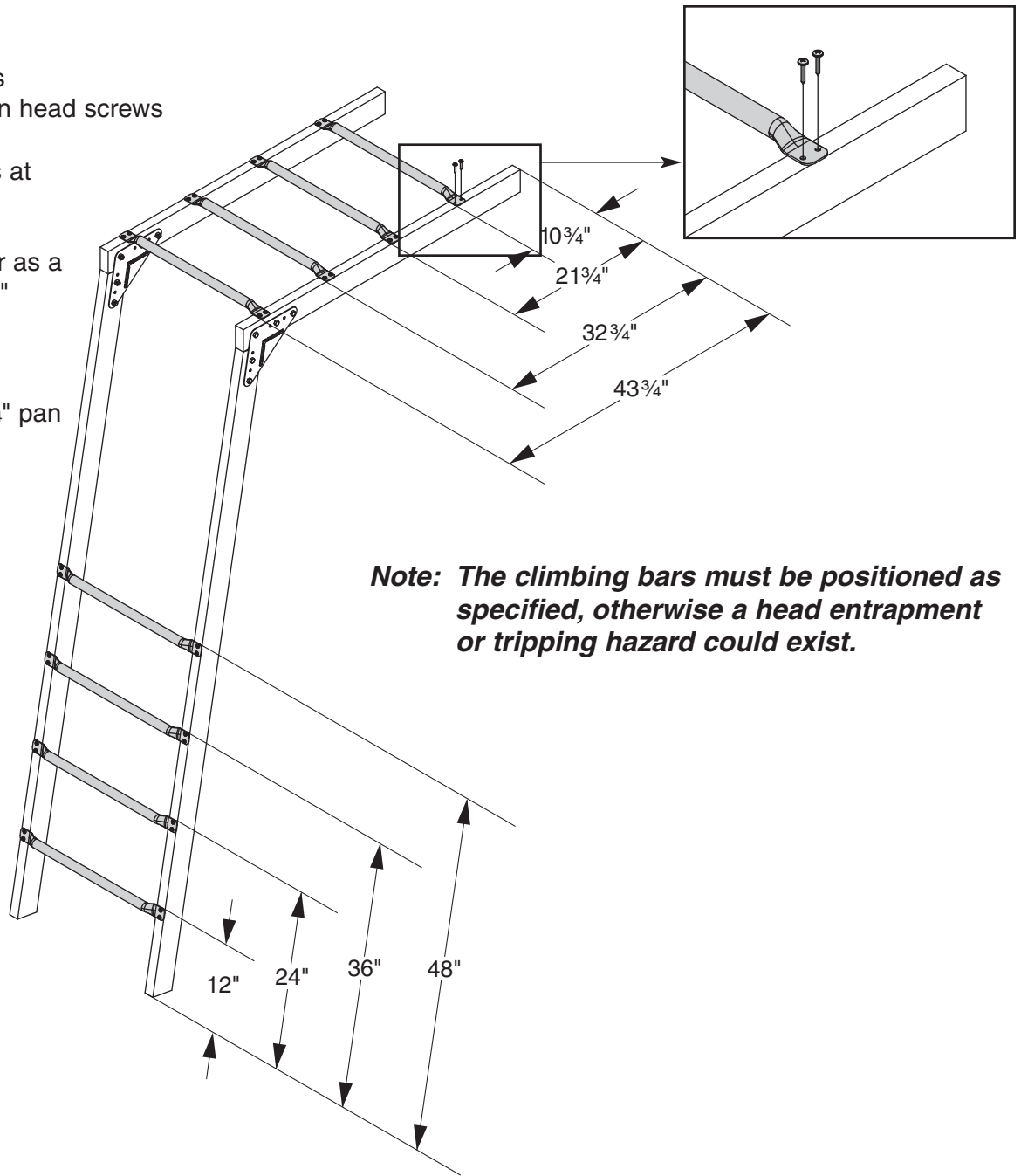
Items for STEP 44:

- (8) Climbing Bars
- (32) #14 x 1 1/4" pan head screws

Attach Climbing Bars at dimensions shown.

Use the Climbing Bar as a drill guide and drill 1/8" holes 1" deep in the boards

Attach with #14 x 1 1/4" pan head screws.



Items for STEP 45:

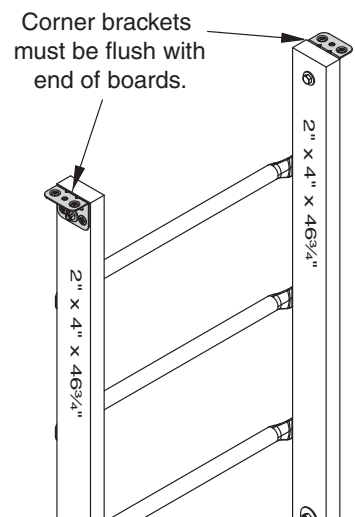
- (2) corner brackets
- (4) #8 x 1 1/4" deck screws
- (2) 3/8" x 2" hex bolts
- (4) 3/8" washers
- (2) 3/8" lock nuts

Attach corner brackets.

Position brackets so that the long sides are against the 2" x 4" x 46 3/4" board and the short side is flush with the end of the board.

Use the bracket as a drill guide and drill 1/8" holes 1" deep into the boards. Attach with #8 x 1 1/4" deck screws.

Again use the bracket as a drill guide and drill 3/8" holes completely through the boards. Secure with 3/8" x 2" hex bolts, 3/8" washers and 3/8" lock nuts.



CONNECT TOWER & CLIMBING BAR ASSEMBLY

Items for **STEP 46:**

- (4) #8 x 1 1/4" deck screws
- (1) 3/8" x 3 1/2" hex bolt
- (1) 3/8" x 3" lag screw
- (3) 3/8" washers
- (1) 3/8" lock nut

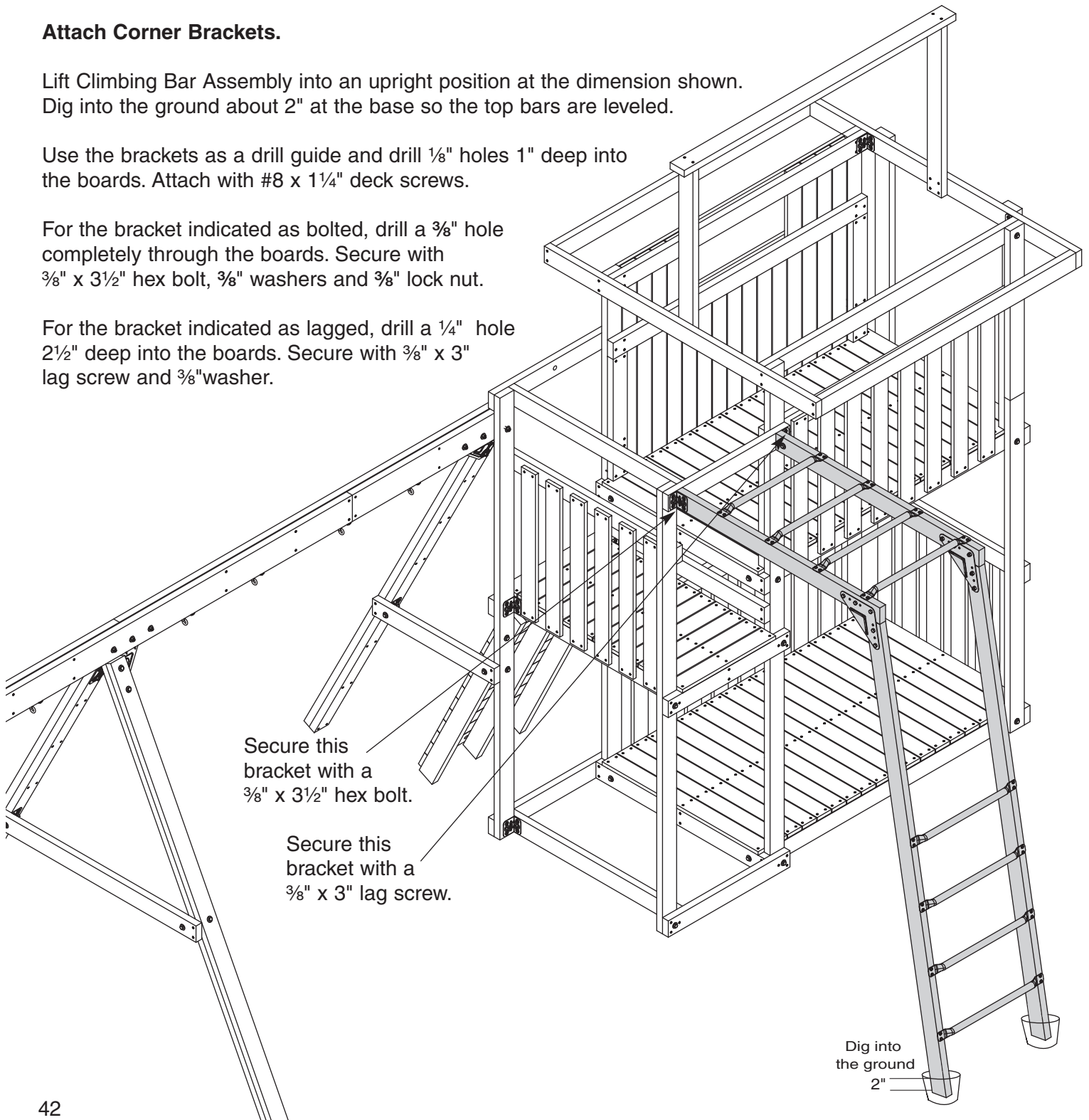
Attach Corner Brackets.

Lift Climbing Bar Assembly into an upright position at the dimension shown. Dig into the ground about 2" at the base so the top bars are leveled.

Use the brackets as a drill guide and drill 1/8" holes 1" deep into the boards. Attach with #8 x 1 1/4" deck screws.

For the bracket indicated as bolted, drill a 3/8" hole completely through the boards. Secure with 3/8" x 3 1/2" hex bolt, 3/8" washers and 3/8" lock nut.

For the bracket indicated as lagged, drill a 1/4" hole 2 1/2" deep into the boards. Secure with 3/8" x 3" lag screw and 3/8" washer.



Items for STEP 47:

- (1) Tarp roof
- (10) snap screws

Align end of tarp (with the five snaps) approximately $1\frac{3}{4}$ " from the bottom edge of the 2" x 4" x $58\frac{1}{2}$ " board and pull outermost edges into position as shown. **(Fig.1)**

Using a pencil, identify and mark each snap location center (should be approximately $2\frac{1}{4}$ " from the bottom edge of the 2" x 4" x $58\frac{1}{2}$ " board).

Drill $\frac{1}{8}$ " hole $\frac{1}{8}$ " deep in the center of the marked locations. Install snap screws into place and secure. **(Fig. 2)**

Pull tarp tight and repeat to secure other end.

Note: You may need to adjust these dimensions in order to install the tarp snugly.

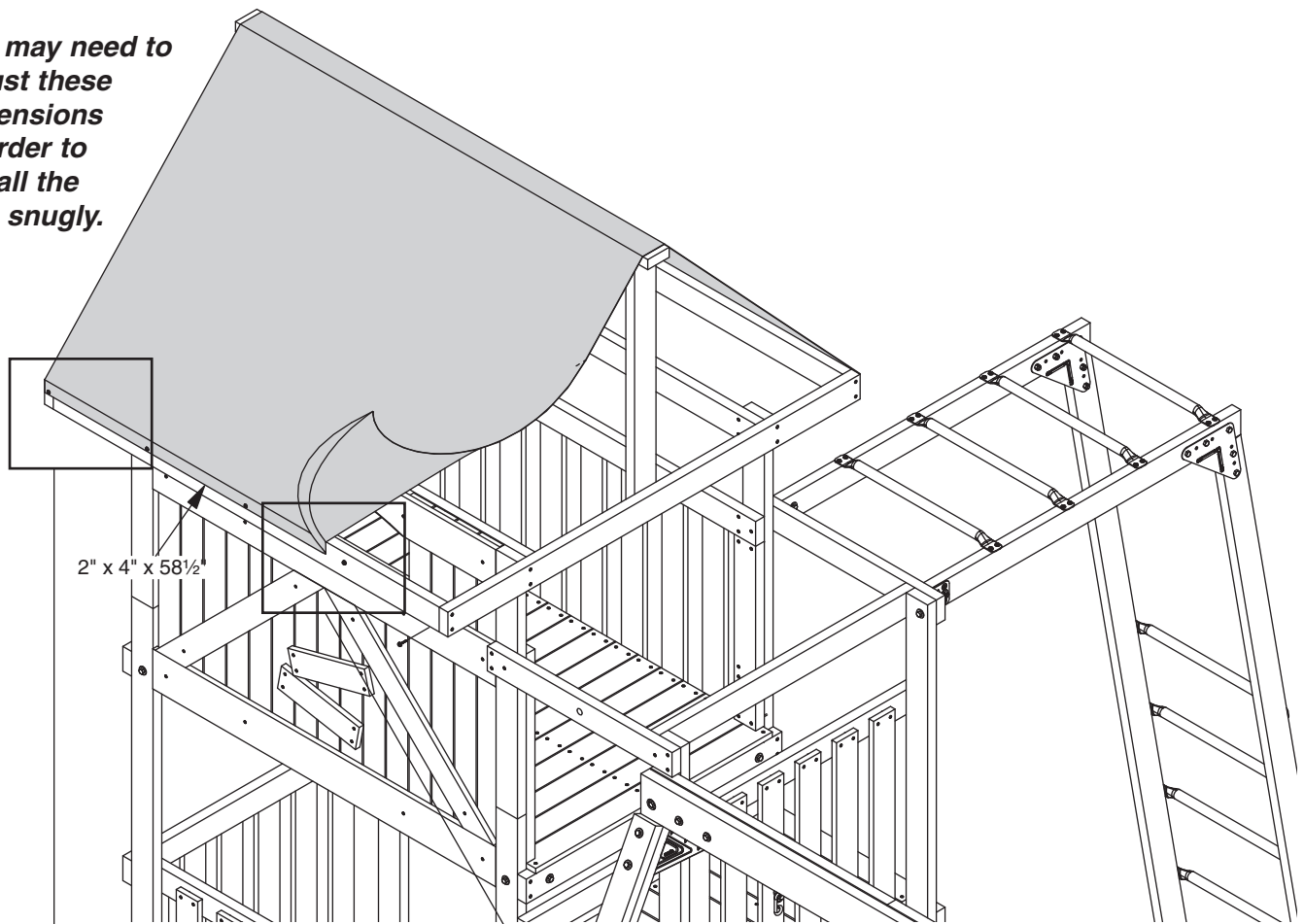


Fig. 1

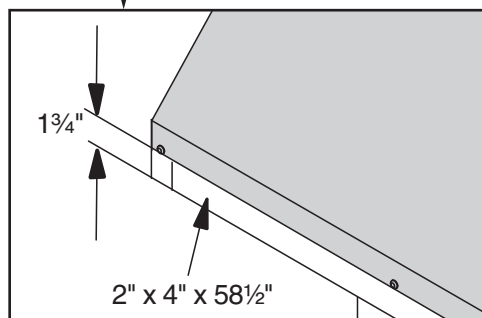
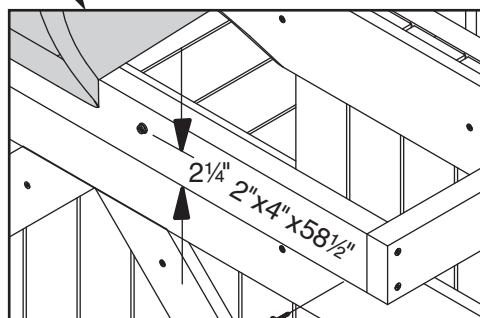
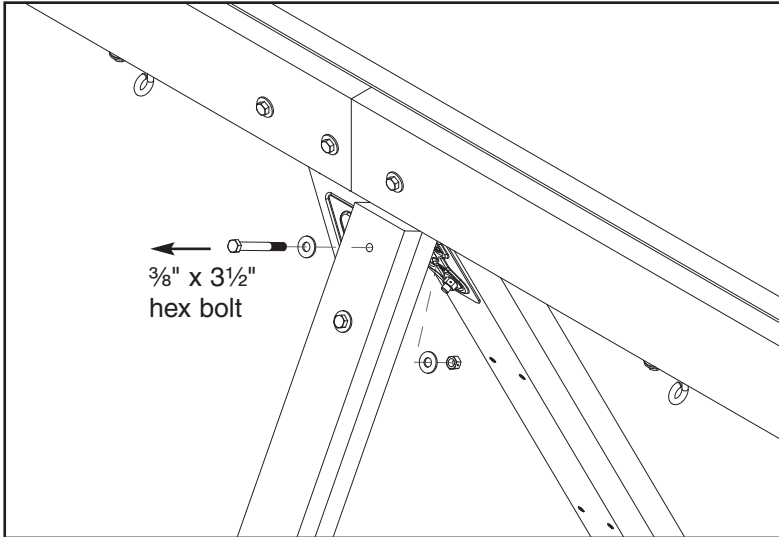


Fig. 2



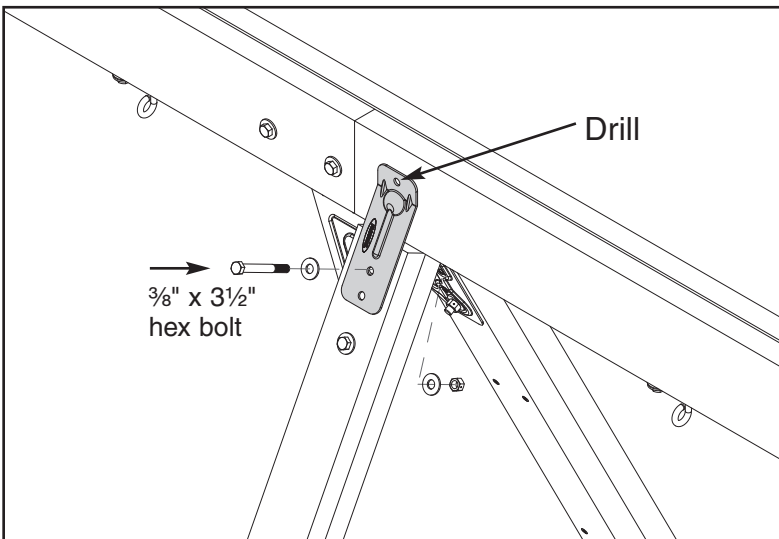
STURDY-FRAME BRACE INSTALLATION



STEP 48:

Remove the top 3/8" x 3 1/2" hex bolt, washers and lock nut from the post support as shown. (Save these parts because they will be used in the next step.)

NOTE: *It is easiest to remove this bolt by continuing to rotate in a counterclockwise direction.*

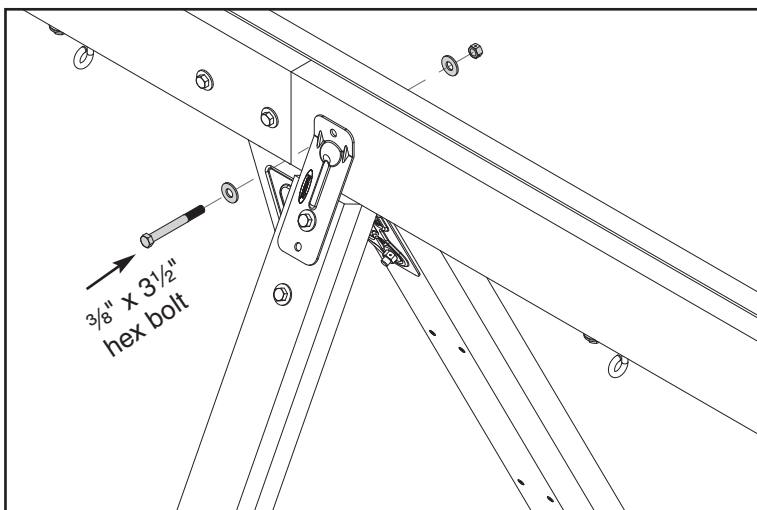


Items for STEP 49:

- (1) Sturdy-Frame Brace
 - (1) 3 1/2" hex bolt
 - (2) 3/8" washers
 - (1) 3/8" lock nut
- } *Removed on previous step*

Install the Sturdy-Frame Brace as shown and secure with 3/8" x 3 1/2" hex bolt, washers and lock nut removed in previous step.

Make sure brace is square to beam. Using the brace as a template, drill a 3/8" hole completely through the beam.



Items for STEP 50:

- (1) 3 1/2" hex bolt
- (2) 3/8" washers
- (1) 3/8" lock nut

Secure the Sturdy-Frame Brace to the beam with the 3/8" x 3 1/2" hex bolt, washers and lock nut.

ANCHORING

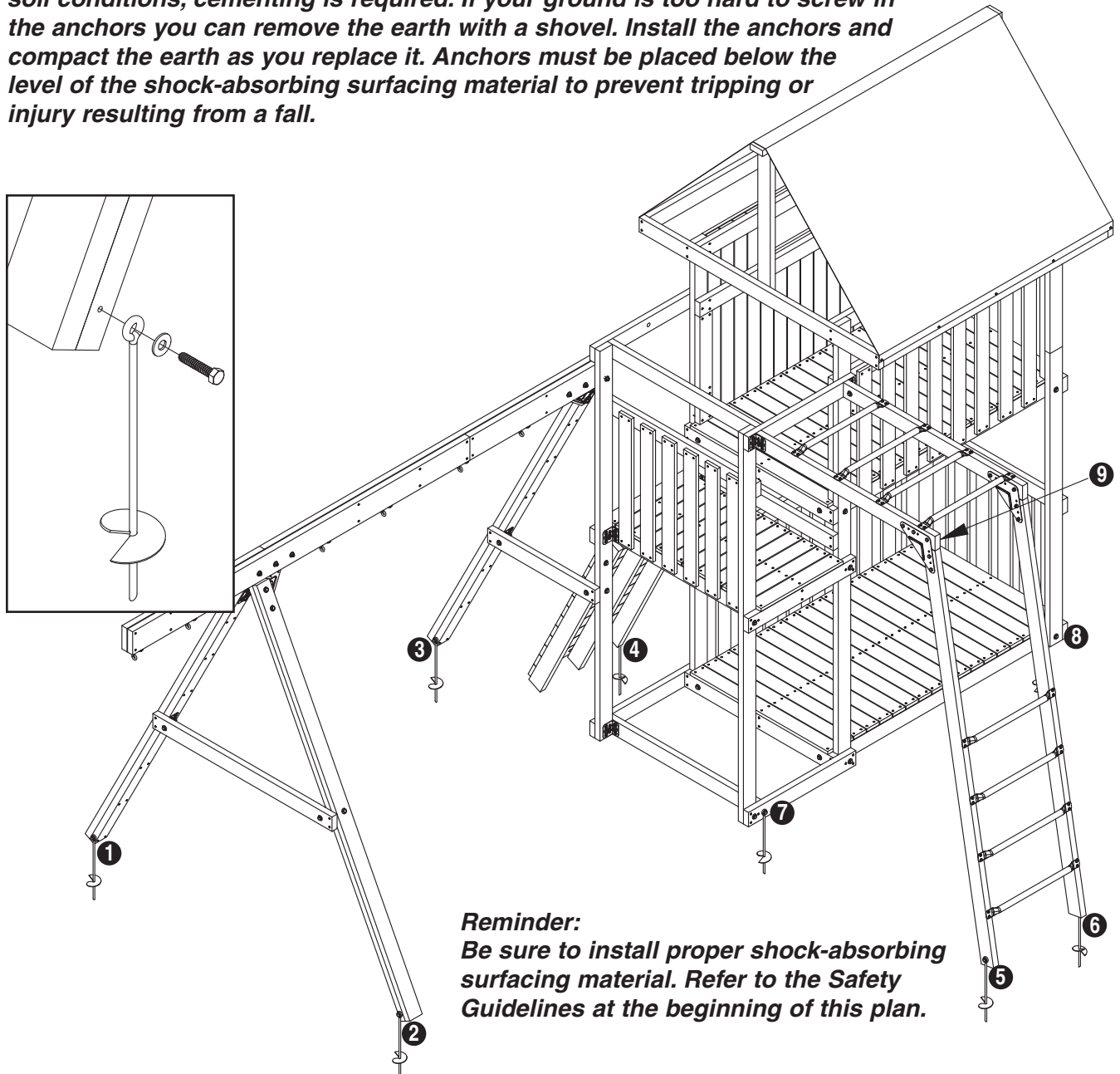
Items for **STEP 51**:

- (9) Playset Anchors
- (9) $\frac{3}{8}$ " x $1\frac{1}{2}$ " lag screws
- (9) $\frac{3}{8}$ " washers

At locations shown screw Playset Anchors into ground by hand (a long screwdriver will help).

Use the anchor as a drill guide and drill a $\frac{1}{4}$ " hole 1" deep into the board. Attach with $\frac{3}{8}$ " x $1\frac{1}{2}$ " lag screw and $\frac{3}{8}$ " washer.

Note: *If soil conditions permit anchors to be pulled out easily, such as in sandy soil conditions, cementing is required. If your ground is too hard to screw in the anchors you can remove the earth with a shovel. Install the anchors and compact the earth as you replace it. Anchors must be placed below the level of the shock-absorbing surfacing material to prevent tripping or injury resulting from a fall.*



Reminder:
Be sure to install proper shock-absorbing surfacing material. Refer to the Safety Guidelines at the beginning of this plan.

**TURN TO PAGE 46 FOR THE GIANT SCOOP WAVE SLIDE
MOUNTING INSTRUCTIONS or PAGE 47
FOR THE SPIRAL TUBE SLIDE MOUNTING INSTRUCTIONS.**

GIANT SCOOP WAVE SLIDE - Mounting Instructions

Items for this step:

- (1) Playset Anchor
- (2) 2" x 4" x 38³/₄" boards
- (24) #8 x 2¹/₂" deck screws
- (1) 3/8" x 1" hex bolt
- (2) 3/8" washers
- (1) 3/8" lock nut
- (3) #14 x 1¹/₄" pan head screws included with Giant Scoop Wave Slide

Slide two 2" x 4" x 38³/₄" boards behind the vertical 2" x 4" x 44¹/₄" boards at dimensions shown. Secure with #8 x 2¹/₂" deck screws.

Align slide at right angle (90°) to 60" play deck. Lip of slide should rest on the play deck 1¹/₂". Using the slide as a template, mark play deck through the three holes in the slide. Drill three 1/8" holes at marked location.

Attach slide temporarily to play deck with three #14 x 1¹/₄" pan head screws.

Prepare level area where slide touches ground that is 1" below surrounding grade.

Locate and mark the ground on the back side, on either side of the star. Remove slide and screw Playset Anchor into the ground (a long screwdriver will help). Screw the anchor deep enough so that the loop at the top of the anchor will be flat against the back surface of slide when the slide is in the final position.

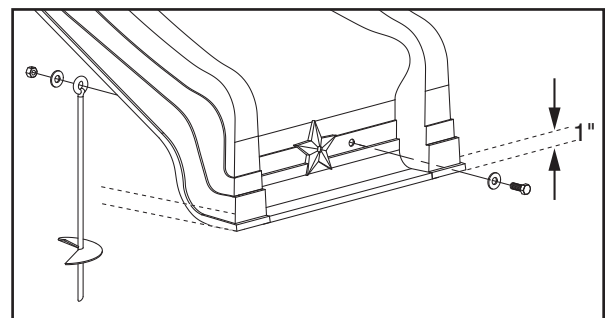
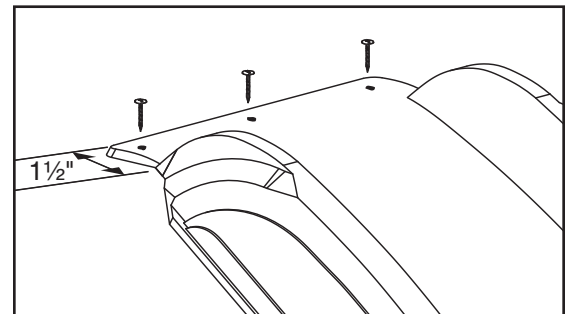
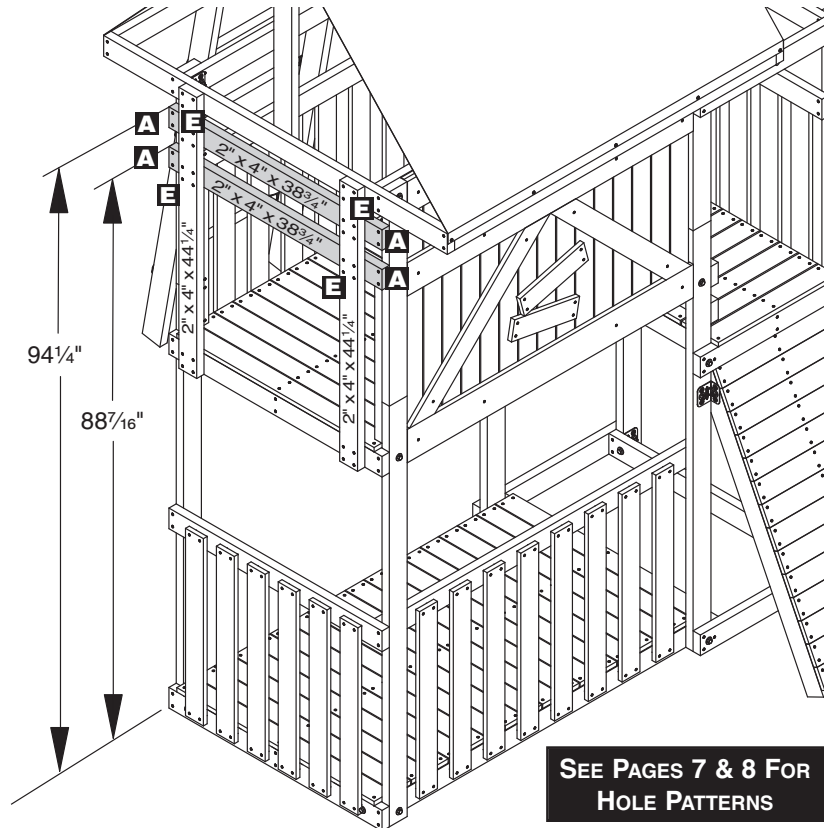
Reinstall slide permanently, attaching it to play deck using #14 x 1¹/₄" pan head screws.

Use the Playset Anchor as a drill guide and drill a 3/8" hole completely through the slide. Attach slide to anchor with one 3/8" x 1" hex bolt, two 3/8" washers and one 3/8" lock nut provided in the anchor kit.

Fill in around bottom of slide to make surface level to surrounding grade.

Caution: Failure to anchor the Slide properly could cause serious injury from children lifting the slide.

Caution: Do not install this slide over concrete, asphalt, packed earth, or any other hard surface. A fall onto a hard surface can result in serious injury to the equipment user.



TURN TO PAGE 50 FOR COMPONENT MOUNTING INSTRUCTIONS.

Note: If you are attaching the Giant Scoop Wave Slide you will have (2) 2" x 4" x 21¹/₄" and (2) 2" x 4" x 24¹/₄" boards left.

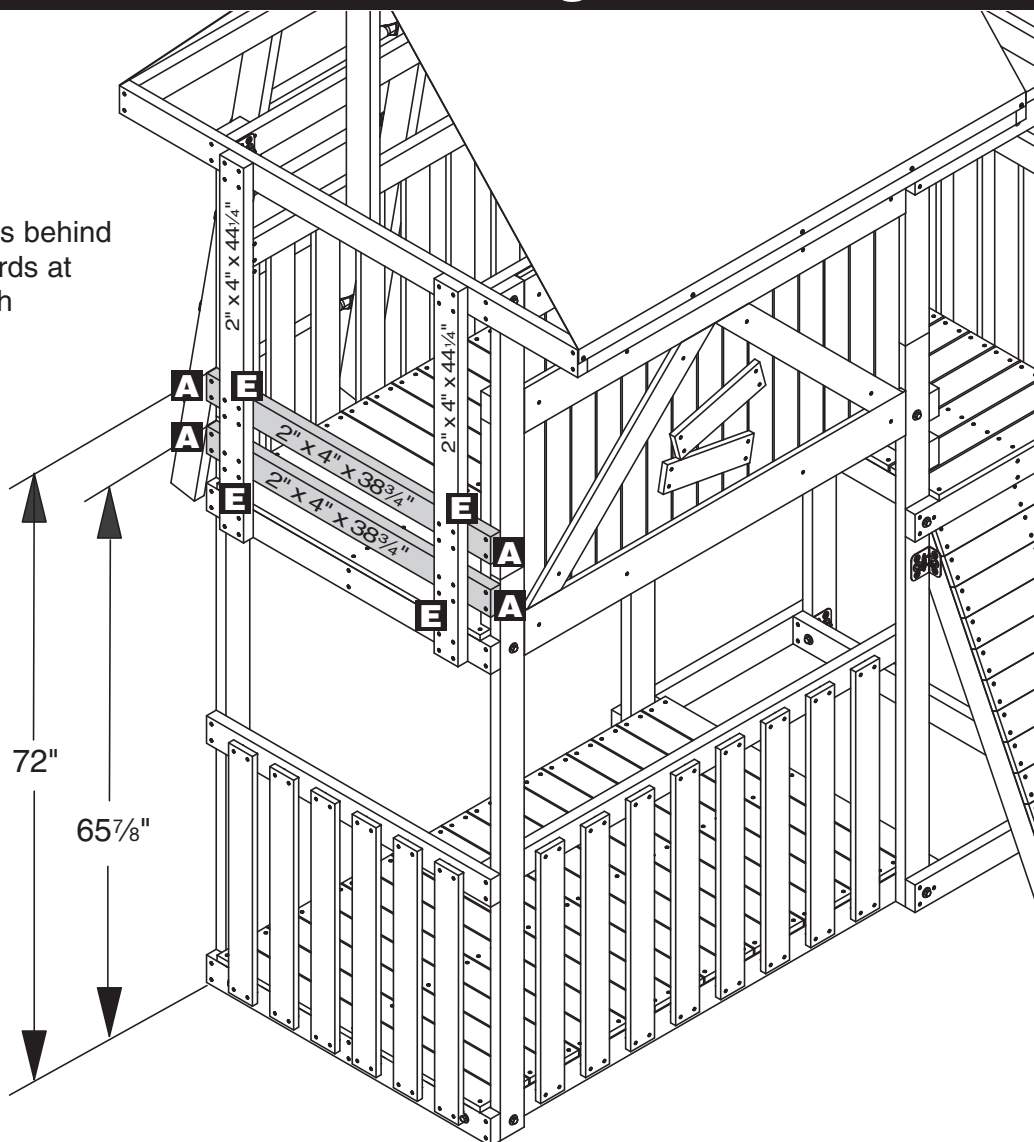
SPIRAL TUBE SLIDE - Mounting Instructions

Items for this step:

- (2) 2" x 4" x 38 $\frac{3}{4}$ " boards
- (24) #8 x 2 $\frac{1}{2}$ " deck screws

Slide two 2" x 4" x 38 $\frac{3}{4}$ " boards behind the vertical 2" x 4" x 44 $\frac{1}{4}$ " boards at dimensions shown. Secure with #8 x 2 $\frac{1}{2}$ " deck screws.

SEE PAGES 7 & 8 FOR
HOLE PATTERNS



*Follow your Spiral Tube Slide
Instructions through Step 16 for
Assembly of Spiral Tube Slide.*

*Replace Step 17 with the following
modification.*

Modification for STEP 17:

- (1) Support Bracket
- (1) $\frac{3}{8}$ " x 2" hex bolt
- (1) $\frac{5}{16}$ " x 1" hex bolt
- (1) $\frac{3}{8}$ " washer
- (1) $\frac{3}{8}$ " lock nut

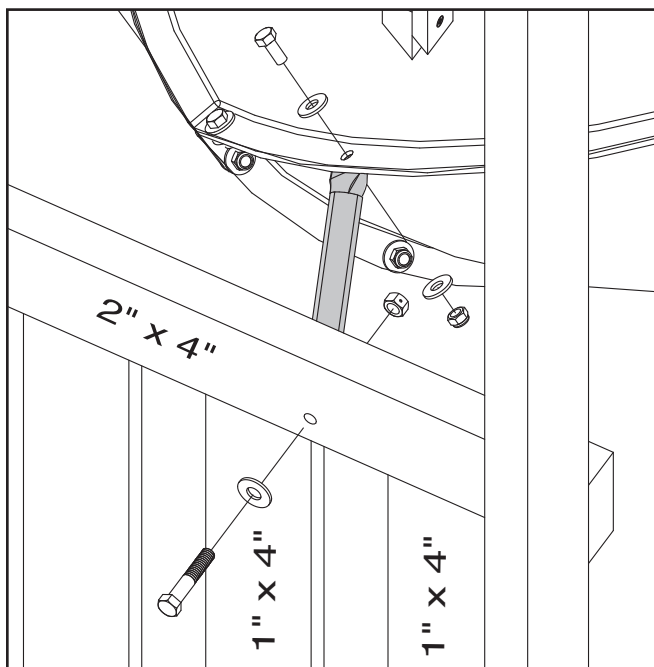
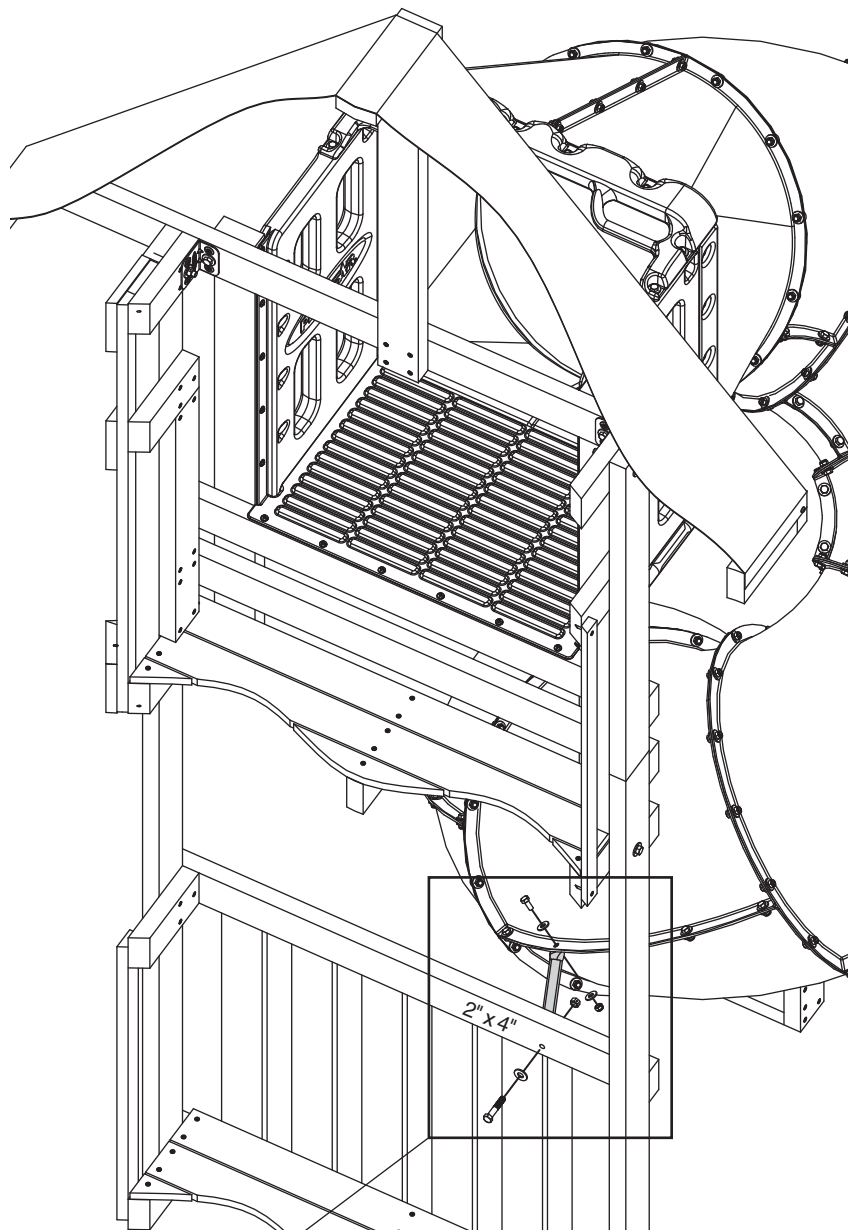
Locate the second bolt from the bottom on the Spiral Tube Slide Step 5 Assembly as shown. Remove and discard the bolt, save the nut and the washers.

Attach the bracket to the slide using a $\frac{5}{16}$ " x 1" hex bolt and the washers and nut saved previously. The smaller flange of the bracket will make contact with the bottom flange of the slide as shown in the picture.

Tighten firmly but **do not over tighten.**

The larger flange of the bracket must make firm contact with the 2" x 4" board of the playset in between the first and second 1" x 4" boards as shown. Mark the hole with a pencil. Drill a $\frac{3}{8}$ " hole through the 2" x 4" board. Attach with $\frac{3}{8}$ " x 2" hex bolt, a $\frac{3}{8}$ " washer and a $\frac{3}{8}$ " lock nut as shown.

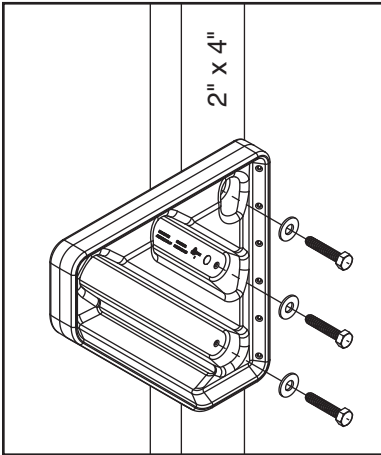
Note: Inspect all the fasteners before children are allowed to play on the Spiral Tube Slide.



PICNIC TABLE – Mounting Instructions

Items for this step:

- (4) 2" x 6" x 35⁷/₈" boards
- (4) Picnic Table Brackets
- (16) #8 x 1¹/₄" deck screws
- (12) 3⁸/₈" x 1¹/₂" lag screws
- (12) 3⁸/₈" washers

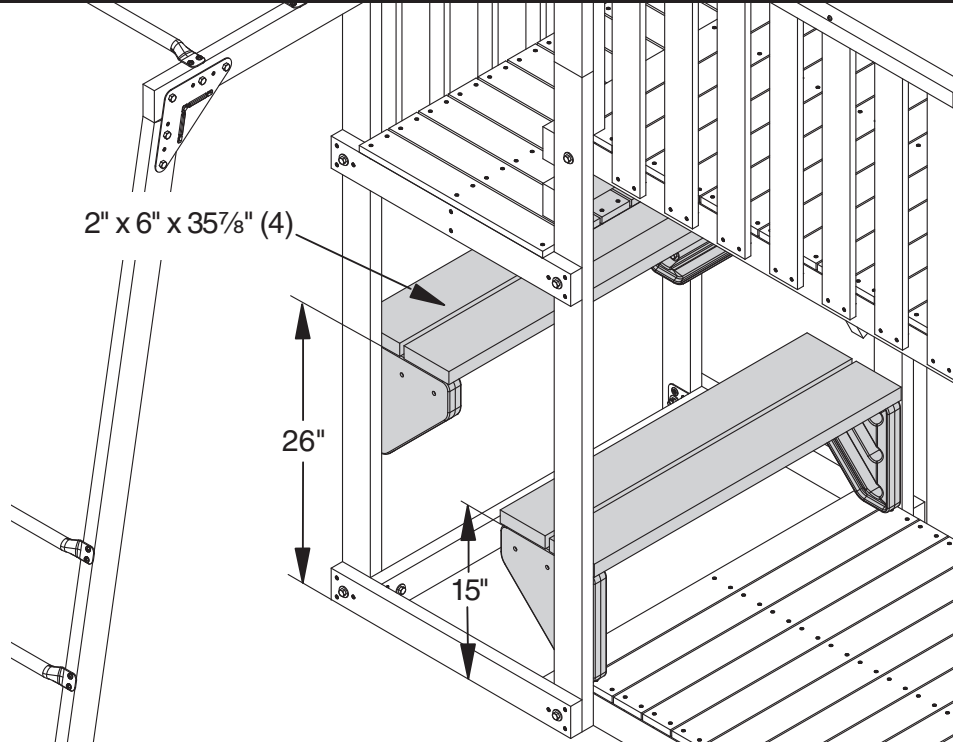


ATTACH BRACKETS TO TOWER

Position brackets at dimensions shown with edge flush with the side of 2" x 4".

Use the indentations in the bracket as a drill guide and drill three 1/4" holes through the bracket 1" deep into the board.

Attach the brackets with 3/8" x 1 1/2" lag screws and 3/8" washers.

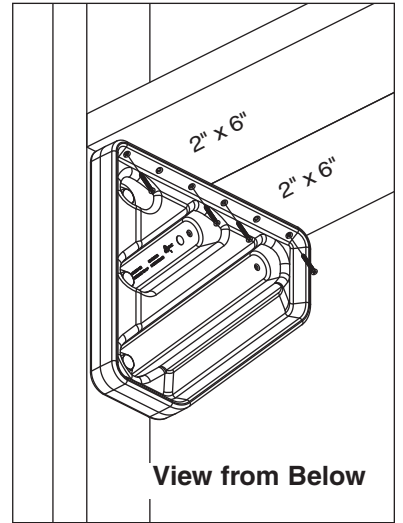


ATTACH BENCH/TABLE BOARDS TO BRACKETS

Position boards on top of brackets as shown.

Use the indentations in the bracket as a drill guide and drill 1/8" holes through the bracket 1" deep into the boards.

Secure board to bracket with #8 x 1 1/4" deck screws.



View from Below

USE THE INSTALLATION INSTRUCTIONS AND MOUNTING HARDWARE WHICH ARE SUPPLIED WITH THE FOLLOWING COMPONENTS

**BRONCO RIDER
(PS 7956)**



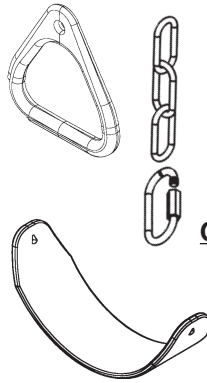
**WATER SLIDE KIT
(PS 8840)**



COMPONENTS – Mounting Instructions

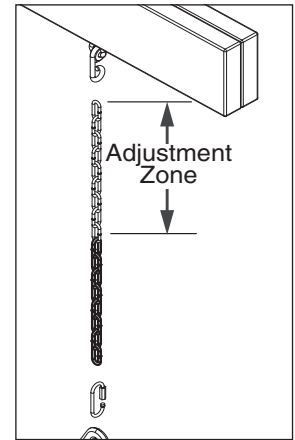
SWING SEAT AND GYM RINGS

1. Attach coated ends of chains onto play component using Quick-Link Connectors provided. Tighten securely with an Adjustable wrench.
2. Hook uncoated ends of chain onto Swing Hangers provided.
3. Customize the height of your **swing** or **gym rings** anywhere in the *Adjustment Zone*, to fit your child.



Swing Chain Spacing:
10" minimum spacing is required from the closest point of all other rides or stationary objects.

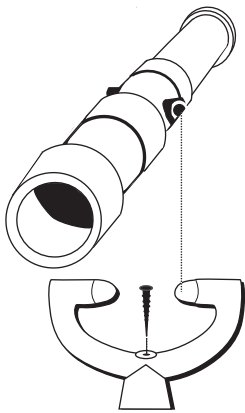
Gym Ring Chain Spacing:
11½" minimum spacing is required from the closest point of all other rides or stationary objects.



Warning: Failure to tighten Quick Links securely could result in injury.

DISCOVERY TELESCOPE

1. Determine desired location for pivot.
2. Drill a ⅛" diameter hole 1" deep.
3. Fasten pivot with #8 x 2½" deck screw provided.
4. Snap Discovery Telescope onto pivot.



CLIMBING ROPE

1. Tie five knots, equally spaced, for climbing grips. **(Fig. 1)**
2. Insert rope through top hole and tie a knot with 4" remaining.
3. Insert opposite end through bottom hole, pull tight and tie a knot while keeping rope snug.
4. Secure both ends with staples provided (2 each end). **(Fig. 2)**

front view

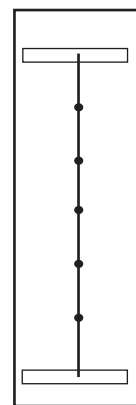


Fig. 1

back view

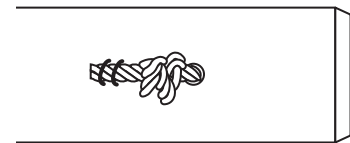
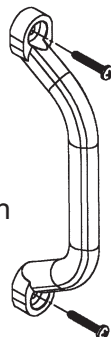


Fig. 2

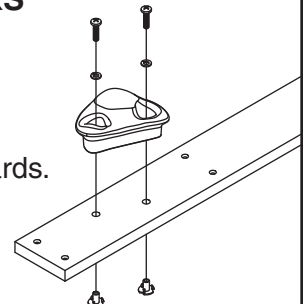
PLAY HANDLES

1. Position Play Handle at desired location.
2. Mark pilot holes.
3. Drill ⅛" holes 1" deep.
4. Secure with #14 x 1¼" pan head screws provided.



CLIMBING ROCKS

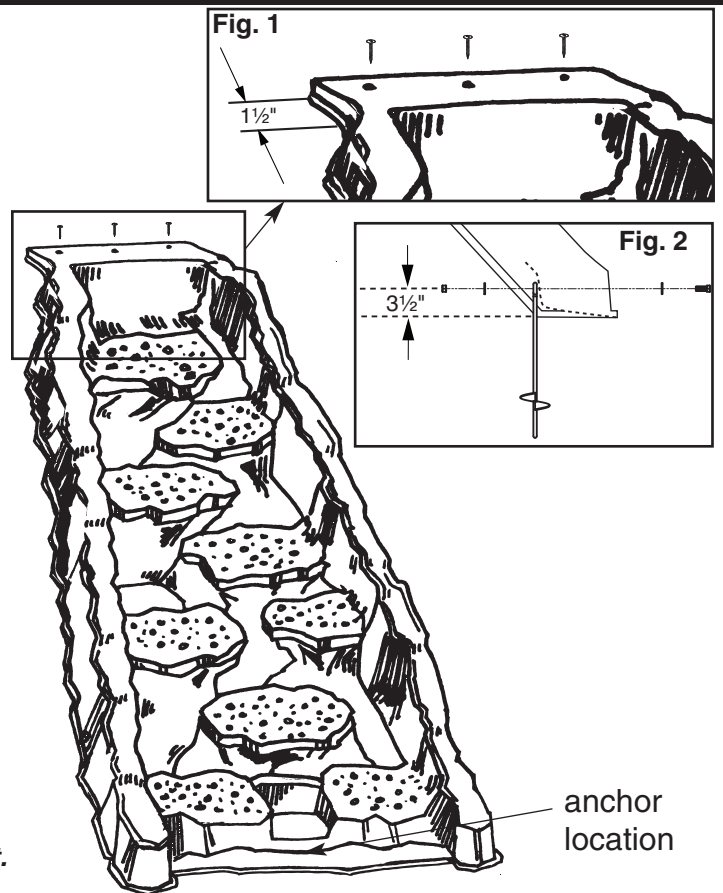
1. Position rocks at desired location.
2. Mark pilot holes.
3. Drill ⅜" holes completely through boards.
4. Hammer in T-nuts from back side.
5. Secure with two ¼" x 1" machine screws and ¼" split lock washers provided.



CLIMBING WALL – Assembly Instructions

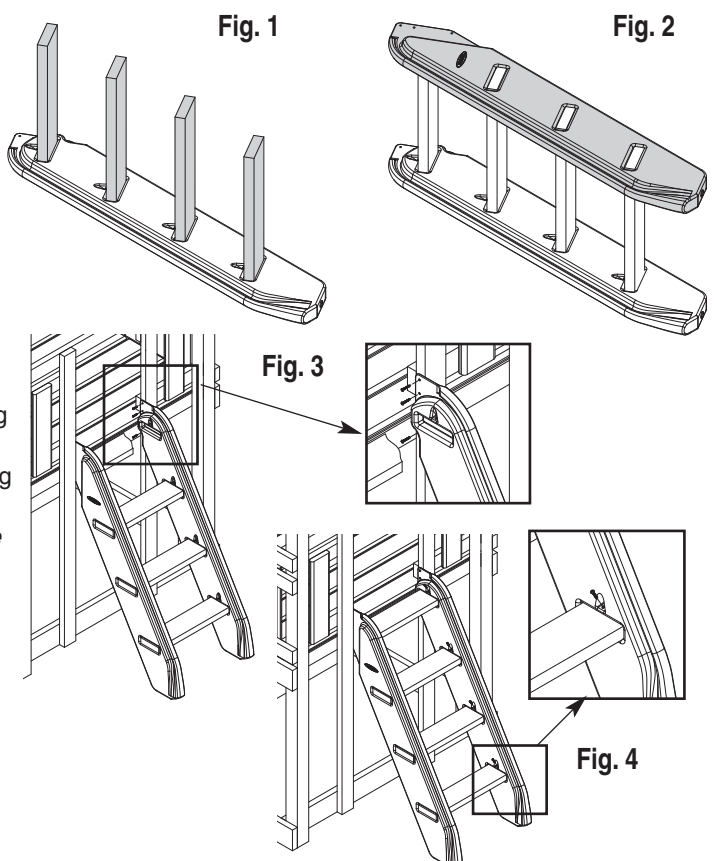
- Align top of Climbing Wall at right angle 90°. Lip of Climbing Wall should rest on the play deck 1½". Using the Climbing Wall as a template, mark play deck through the three holes in the climbing wall. Drill three ⅝" holes at marked locations. (Fig. 1)
- Attach Climbing Wall temporarily to play deck with three #14 x 1¼" pan head screws provided.
- Prepare level area where Climbing Wall touches ground.
- Locate and mark the ground on the back side and in center of Climbing Wall. Remove Climbing Wall and screw Playset Anchor into the ground (a long screwdriver will help). Screw the anchor deep enough so that the center of the loop at the top of the anchor will be approximately 3½" off ground when wall is in the final position.
- Reinstall Climbing Wall permanently, attaching it to play deck using #14 x 1¼" pan head screws provided.
- Use the anchor as a drill guide and drill a ⅝" hole completely through the Climbing Wall. Attach Climbing Wall to anchor with one ⅝" x 1¼" hex bolt, two ⅝" washers and one ⅝" lock nut provided in the anchor kit. (Fig. 2)

Warning: Failure to anchor the Climbing Wall properly could cause serious injury from children lifting the Unit.



CLIMBING STEPS – Assembly Instructions

- Place the left (L) step side rail on a flat work surface. Insert one 2" x 6" x 21" top step into the top hole.
Note: This hole does not go completely through the side rail.
- Insert three 2" x 6" x 23½" standard steps into the remaining holes until they are flush with the outside of the side rail. (Fig. 1)
- Insert the right (R) step side rail on top of the existing boards until the standard boards are flush with the outside of the side rail. (Fig. 2)
- Install the Climbing Steps Assembly to your Adventure Tunnel Kit: Position the Climbing Steps Assembly into the 21½" opening of your play deck so that the top surface of the top step is flush with the top surface of the play deck. Push side rails of Climbing Step Assembly forward until they contact the play deck.
Note: The steps must be positioned as specified, otherwise a head entrapment or tripping hazard could exist.
- Secure the Climbing Step Assembly to the play deck using three #14 x 1¼" pan head screws on each side as shown. (Fig. 3)
- Making sure that all of the standard steps are flush with the outside sides of the Climbing Steps Assembly, secure each step to the side rails using two #14 x 1¼" pan head screws for each step as shown. (Fig. 4)



IMPORTANT – PLEASE READ

Thank You for choosing PlayStar. Because it is our intention to make this a positive family experience, we have taken great care in preparing this product.

All boards have been properly dried, thoroughly inspected for quality and dimensionally correct prior to packaging.

Occasionally a piece of lumber may develop a slight twist or bow due to changing humidity levels during transportation or storage. If this occurs, it can be straightened when attaching boards during the assembly process.

In a rare instance a severe twist or bow may occur and cause the board to be un-usable. If this happens do not return the board to the store.

Please call our friendly Customer Service Department for immediate action.

If we can assist you in any way
Do not return to the store.

Please call us Toll Free at 1-888-PLAYSTAR
(752-9782)

Monday through Friday, 8:00 A.M. to 5:00 P.M. C.S.T.

Ask for Customer Service.

We Will Gladly Help!



PlayStar, Incorporated, Janesville, WI 53547

© 2009, 2007, PlayStar, Inc. Reproduction of this document in part or whole is prohibited without the permission of PlayStar, Inc.

Protected by one or more of the following United States or Foreign Patents: US D418,189; US D409,708; US D424,154; US D428,637; US 6,402,663; US D422,332; US D410,059; US 6,068,557; US 6,302,801; US 6,482,095; US 6,039,654; US D410,060; US D424,649; US 6,361,445; CA 2,304,345; US 6,540,645; US 6,709,365; US 6,942,600; US D513,779; US 6,991,550; CA D109,228; CA D109,224; CA D109,225; CA 2,304,113; US 6,629,907; US D517,636; US D518,530; US D520,590; US 520,591; US D534,613; US 7,186,183; US 7,189,034; US 7,253,951; US D548,760; US 7,304,810; CA D109,227; CA D109,226; CA D112,355; CA D113,437; CA D113,442; CA D114,067; CA D114,068; CA 2,304,896; CA D119,674; US D573,222; US 7,419,437; CA 2,304,068; CA 2,488,576; US D580,507; US D585,570; CA 2,490,923; CA 2,304,341; US 7,594,875; CA 2,304,043; CA 2,529,276; CA 2,633,628; CA 2,633,056; US 7,594,875; CA 2,498,701; CA 2,495,136; CA 2,488,600